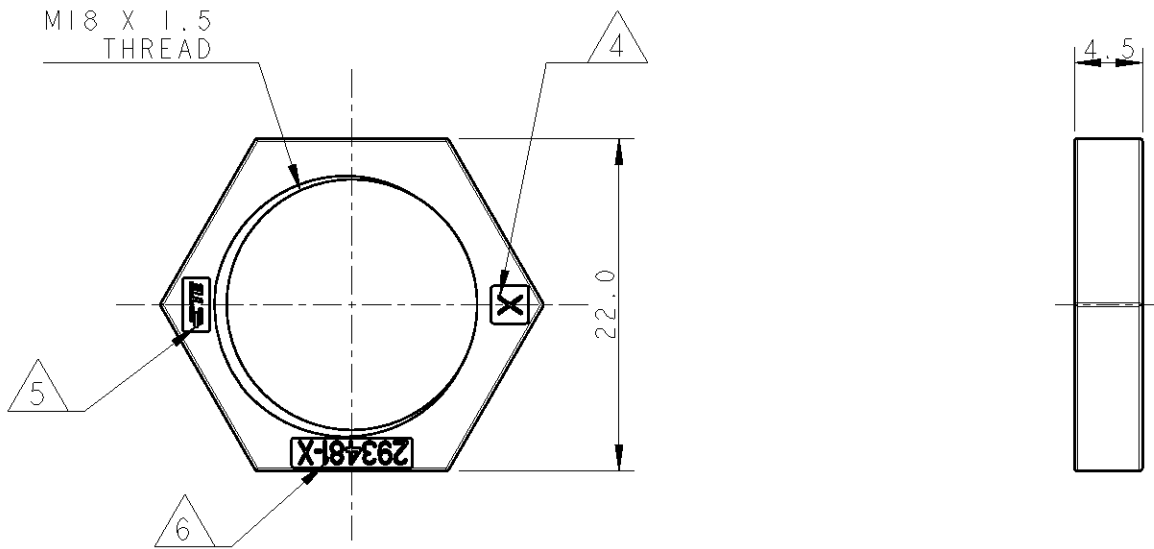


LOC	DIST	REVISIONS				
P	LTR	DESCRIPTION	DATE	DWN	APVD	
		B1	REVISED MARKINGS	05NOV2012	MZ	JC



NOTES:

① MATERIAL: POLYAMIDE GLASS FILLED  
COLOUR: NATURAL

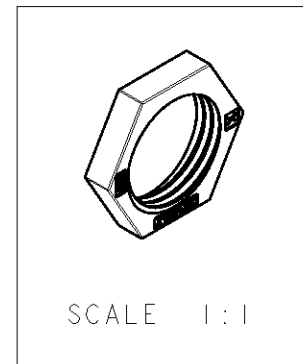
② MATERIAL: POLYAMIDE GLASS FILLED  
COLOUR: BLACK

3) PACKAGING: SEE TE PACKAGING  
SPECIFICATION 107-20294

④ CAVITY MOULD ID

⑤ TE LOGO

⑥ TE PART NUMBER



NOTE	COLOUR	DESCRIPTION	REV.	PART NUMBER
②	BLACK	SCREW NUT NECTOR* M-LINE	B	1-293481-1
①	NATURAL	SCREW NUT NECTOR* M-LINE	B	293481-1

THIS DRAWING IS UNPUBLISHED. BY - ALL RIGHTS RESERVED. 2011

DIMENSIONS: mm	DWN M. ZUCCA	03NOV2010	MATERIAL	NOTE 1	FINISH	-
	CHK M. ZUCCA	03NOV2010	TE Connectivity			
TOLERANCES UNLESS OTHERWISE SPECIFIED:	APVD G. TURCO	03NOV2010				
	0 PLC ±-	PRODUCT SPEC	108-20304	SIZE	CAGE CODE	DRAWING NO
1 PLC ±0.3	APPLICATION SPEC	114-20152	A4	00779	G=293481	-
2 PLC ±0.20	WEIGHT	-	Customer Drawing			
3 PLC ±-			SCALE	2:1	SHEET	1 OF 1
4 PLC ±-						REV B1
ANGLES ±3°						