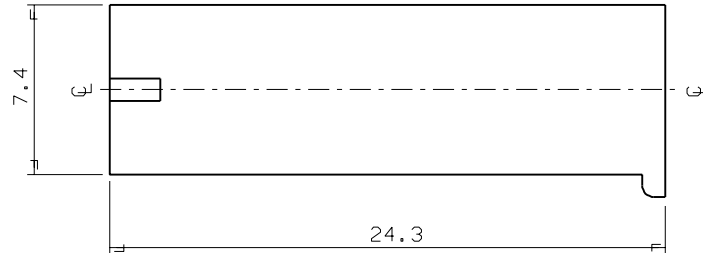
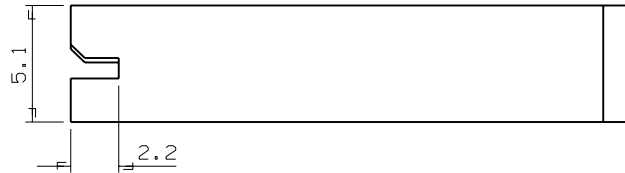
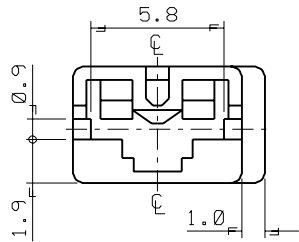
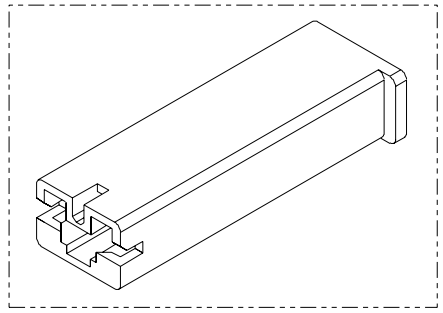
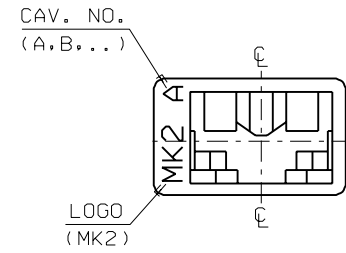


PROJECT NO. .187 MP-LOCK CONN' EDP NO. SD 35189-011 •

8 7 6 5 4 3 2 1



- NOTES
- MATERIAL : NYLON 66
35189-0110 (UL94V-2)
35189-0111 (UL94V-0)
 - COLOR : NATURAL
 - APPLICABLE TERMINAL : 35068-9**2



				MATERIAL	SEE NOTES	MOLEX-KOREA CO.,LTD.	
				GENERAL TOLERANCE	DIMENSION : ±0.3		
C	REVISED	96-137	96-12-24	ANGLE : °1'		J. S. KANG	
B	REVISED		96-9-20	DIMENSION CLASSIFICATION	▽ : CRITICAL ▼ : MAJOR	APP'D BY	SCALE 5/1
A	NEW RELEASED		96-4-25	() : REFERENCE		TITLE :	SHEET
LTR	REVISION RECORD	ECN	DATE	ASS'Y PART	DESCRIPTION	ENG. NO.	1 OF 1
REVISE ONLY ON CAD SYSTEM				---	---	SD 35189-011 •	REV C