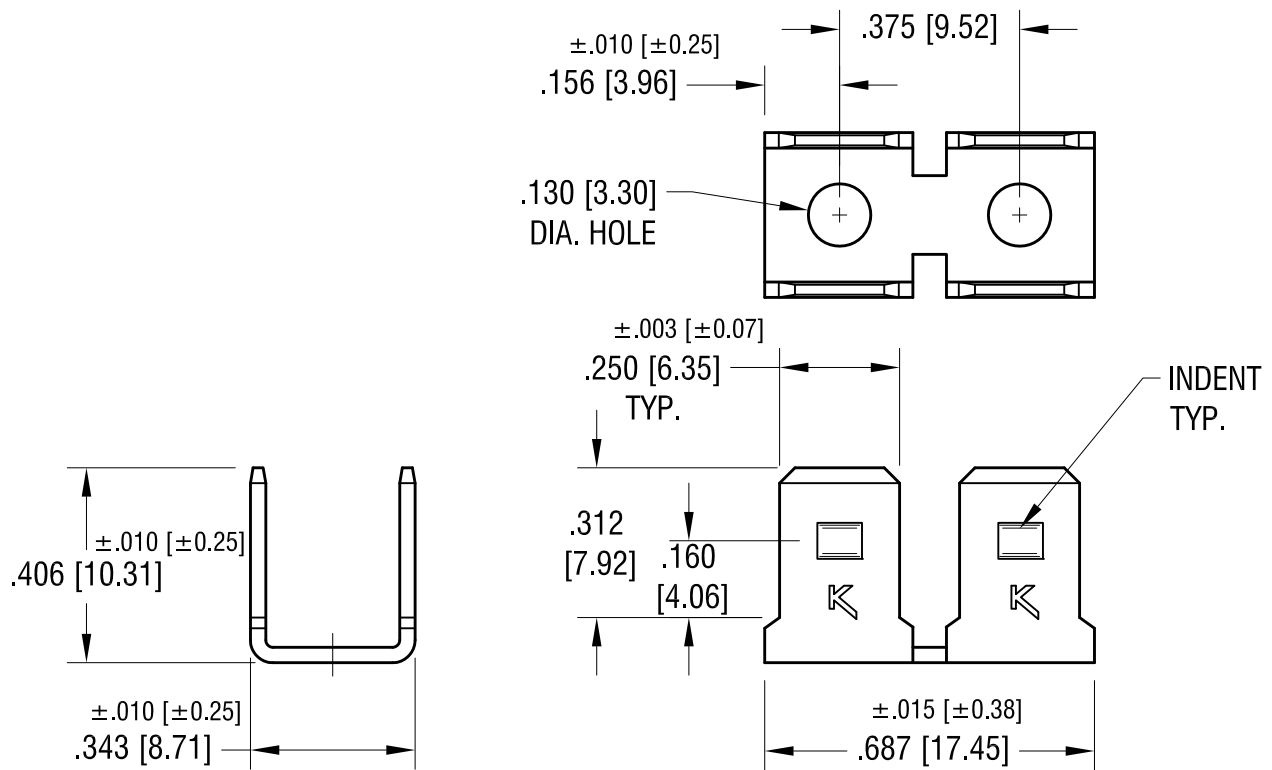
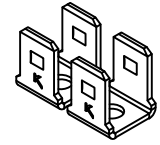


THIS DOCUMENT IS THE PROPERTY OF KEYSTONE ELECTRONICS CORP. AND SHALL NOT BE REPRODUCED, DISTRIBUTED OR USED AS A BASIS FOR MANUFACTURE WITHOUT PRIOR WRITTEN PERMISSION FROM KEYSTONE ELECTRONICS CORP.

ACTUAL SIZE



8.20.12	CHANGE AS PER ECN 12-108	D
6.12.08	CHANGE AS PER ECN 08-109	C
4.20.93	REVISED	B
DATE	DESCRIPTION	REV.

KEYSTONE ELECTRONICS CORP.			
www.keyelco.com • ASTORIA, N.Y. 11105-2017 • Tel (718) 956-8900			
PART NAME			
MULTIPLE .250 QUICK-FIT TERMINAL			
MATERIAL			
.032 [0.81] TH'K BRASS			
FINISH		DRN BY	DATE
BRIGHT BRASS		BOONE	3.31.82
		APP'D	SCALE
		LN	2.5X
TOLERANCES	INCH [MM]	CODE	DWG NO.
DECIMAL	$\pm .005$ [± 0.15]	C	1005
ANGULAR	$\pm 1^\circ$		
UNLESS OTHERWISE SPECIFIED			