

4

3

2

1

THIS DRAWING IS UNPUBLISHED.

RELEASED FOR PUBLICATION

20

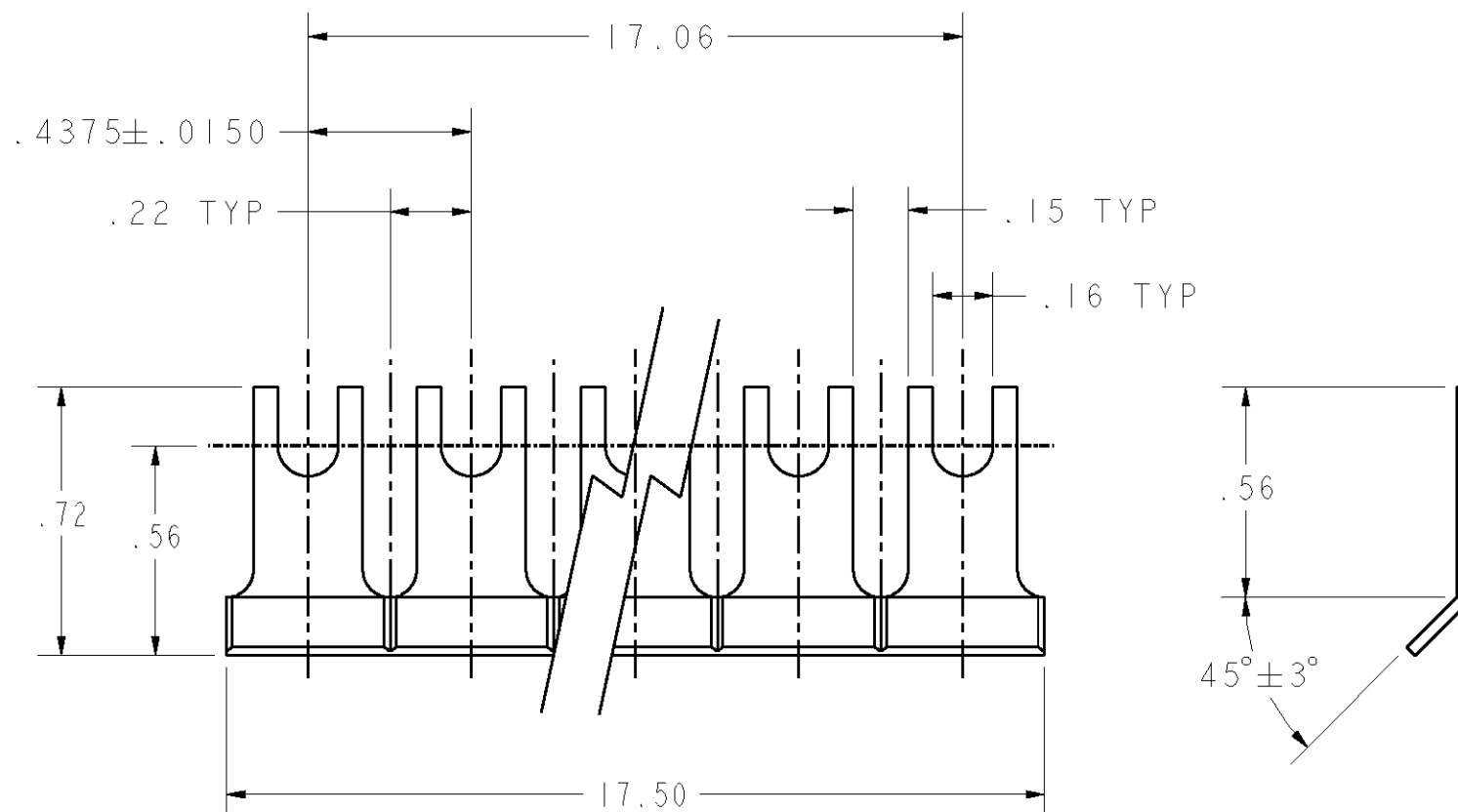
© COPYRIGHT 20

BY TYCO ELECTRONICS CORPORATION. ALL RIGHTS RESERVED.

LOC FT DIST 0

REVISIONS

P	LTR	DESCRIPTION	DATE	DWN	APVD
	A	RELEASED	11SEP2001	EZ	SY



NOTES:

- MATERIAL: TIN PLATED COPPER ALLOY  
.032 THK.
- BUCHANAN CATALOG NO. J7140  
TYCO P/N 5-1437418-7

<small>THIS DRAWING IS A CONTROLLED DOCUMENT FOR TYCO ELECTRONICS CORPORATION IT IS SUBJECT TO CHANGE AND THE CONTROLLING ENGINEERING ORGANIZATION SHOULD BE CONTACTED FOR THE LATEST REVISION.</small>		DWN E. ZANOLINI 11SEP2001	<b>BUCHANAN</b> Tyco Electronics Harrisburg, PA 17105-3608
DIMENSIONS: INCHES		CHK S. YODER 11SEP2001	
		APVD S. YODER 11SEP2001	
TOLERANCES UNLESS OTHERWISE SPECIFIED: 0 PLC ±- 1 PLC ±- 2 PLC ±0.01 3 PLC ±0.001 4 PLC ±0.0001 ANGLES ±1		PRODUCT SPEC -	NAME 7/16 AROUND BARRIER SPADE TYPE BREAK-APART 40 POSITION JUMPER
MATERIAL -	FINISH -	APPLICATION SPEC -	RESTRICTED TO -
		WEIGHT -	SIZE A3
		CUSTOMER DRAWING	CAGE CODE 00779
			DRAWING NO C-5-1437418-7
			SCALE NTS
			SHEET 1
			OF 1
			REV A