

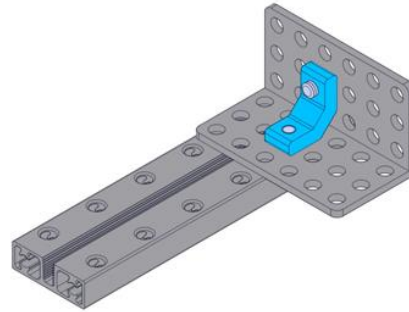
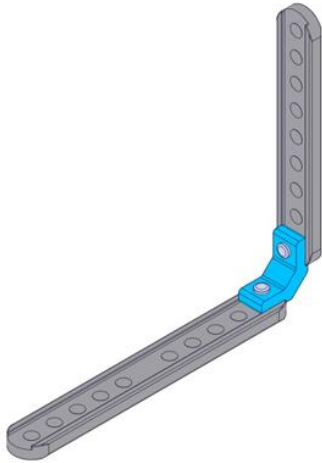


Stiffener

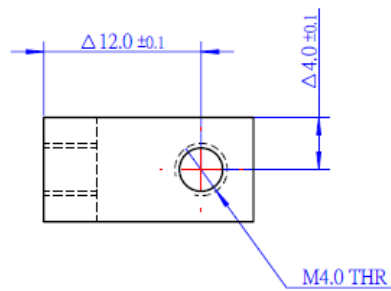
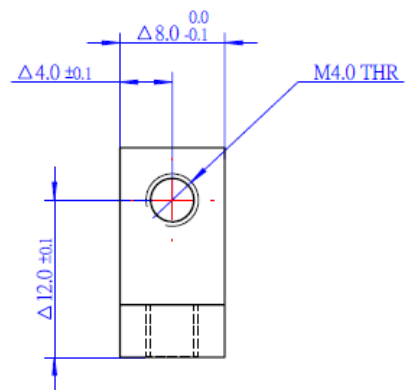
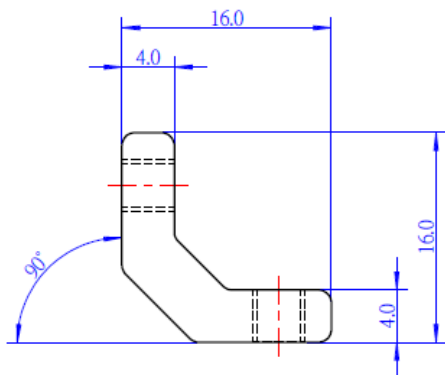
SKU: 69007 Weight: 5.00 Gram

Just like the other Makeblock mechanical parts, this little blue Stiffener is also made of anodized aluminum alloy. It will come in handy when you need to strengthen the joint of two parts, so that the whole structure will be more stable and maintain longer. Each side of the Stiffener has a M4 threaded hole, so it works great with most Makeblock mechanical parts, including metal beams, plates and brackets, etc., or other mechanical parts with M4 threaded holes.

Demo:



Size Chart (mm):



Specifications

SKU	69007
Product Name	Stiffener
Parts List	Stiffener x 2
Package Dimension	60 x 100 x 10mm (2.36 x 3.94 x 0.39inch)
Product Dimension	16 x 8 x 16mm (0.63 x 0.31 x 0.63inch)
Net Weight	4g (0.14oz)
Gross Weight	5g (0.18oz)



<https://store.makeblock.com/stiffener> 8-8-18