



**TMS320C5515 eZdsp™**  
**USB Stick**

*Technical  
Reference*



**TMS320C5515 eZdsp™  
USB Stick  
Technical Reference**

512845-0001 Rev A  
February 2010

**SPECTRUM DIGITAL, INC.  
12502 EXCHANGE DRIVE, #440 STAFFORD, TX. 77477  
Tel: 281.494.4500 FAX: 281.494.5310  
sales@spectrumdigital.com www.spectrumdigital.com**

## **IMPORTANT NOTICE**

Spectrum Digital, Inc. reserves the right to make changes to its products or to discontinue any product or service without notice, and advises its customers to obtain the latest version of relevant information to verify, before placing orders, that the information being relied on is current.

Spectrum Digital, Inc. warrants performance of its products and related software to current specifications in accordance with Spectrum Digital's standard warranty. Testing and other quality control techniques are utilized to the extent deemed necessary to support this warranty.

Please be aware that the products described herein are not intended for use in life-support appliances, devices, or systems. Spectrum Digital does not warrant nor is liable for the product described herein to be used in other than a laboratory development environment. Use in any other environment voids the warranty.

Spectrum Digital, Inc. assumes no liability for applications assistance, customer product design, software performance, or infringement of patents or services described herein. Nor does Spectrum Digital warrant or represent any license, either express or implied, is granted under any patent right, copyright, or other intellectual property right of Spectrum Digital, Inc. covering or relating to any combination, machine, or process in which such Digital Signal Processing development products or services might be or are used.

## **WARNING**

This equipment is intended for use in a laboratory test environment only. It generates, uses, and can radiate radio frequency energy and has not been tested for compliance with the limits of computing devices pursuant to subpart J of part 15 of FCC rules, which are designed to provide reasonable protection against radio frequency interference. Operation of this equipment in other environments may cause interference with radio communications, in which case the user at his own expense will be required to take whatever measures may be required to correct this interference.

## **TRADEMARKS**

Windows 2000, Windows XP, Windows Vista are registered trademarks of Microsoft Corp.

Code Composer Studio IDE is a trademark of Texas Instruments

"eZdsp" is a trademark of Spectrum Digital, Inc.

## Contents

---

<b>1</b>	<b>Introduction to the TMS320C5515 eZdsp USB Stick</b>	<b>1-1</b>
	<i>Provides a description of the TMS320C5515 eZdsp USB Stick, and key features.</i>	
1.0	Overview of the TMS320C5515 eZdsp USB Stick	1-2
1.1	Key Features of the TMS320C5515 eZdsp USB Stick	1-3
1.2	C5515 eZdsp USB Stick Block Diagram	1-3
1.3	C5515 eZdsp Memory Map	1-4
1.4	C5515 eZdsp I <sup>2</sup> C Addressing	1-4
<b>2</b>	<b>Physical Description</b>	<b>2-1</b>
	<i>Describes the physical layout of the TMS320C5515 eZdsp USB Stick and its connectors.</i>	
2.0	Board Layout	2-2
2.1	Connector Index	2-3
2.1.1	J1, C5515 USB Connector	2-3
2.1.2	J2, XDS100 USB Connector	2-4
2.1.3	J3, Audio In Connector	2-4
2.1.4	J4, Audio Out Connector	2-5
2.1.5	J5, LCD Interface	2-6
2.1.6	J6, Micro SD Connector	2-6
2.1.7	P1, P2, Bluetooth Board Interface	2-7
2.1.8	P4, Expansion Connector	2-8
2.2	System LEDs	2-10
2.3	Switches	2-10
2.4	Jumpers	2-10
2.5	Test Points	2-11
<b>A</b>	<b>Schematics</b>	<b>A-1</b>
	<i>Contains the schematics for the TMS320C5515 eZdsp USB Stick.</i>	
<b>B</b>	<b>Mechanical Information</b>	<b>B-1</b>
	<i>Contains the mechanical information about the TMS320C5515 eZdsp USB Stick.</i>	

## About This Manual

This document describes the board level operations of the TMS320C5515 eZdsp USB Stick. The Stick is based on the Texas Instruments TMS320C5515 Digital Signal Processor (DSP).

The TMS320C5515 eZdsp USB Stick is a USB based printed circuit board (PCB) that allows engineers and programmers to evaluate certain characteristics of the TMS320C5515 DSP.

## Notational Conventions

This document uses the following conventions.

The TMS320C5515 eZdsp USB Stick will sometimes be referred to as the C5515 Stick, C5515 USB Stick, or C5515 eZdsp.

Program listings, program examples, and interactive displays are shown in a special italic typeface. Here is a sample program listing.

equations  
!rd = !strobe&rw;

## Information About Cautions

This book may contain cautions.

***This is an example of a caution statement.***

A caution statement describes a situation that could potentially damage your software, or hardware, or other equipment. The information in a caution is provided for your protection. Please read each caution carefully.

## Related Documents

Texas Instruments Code Composer Studio IDE Users Guide  
Data sheet for the TMS320C5515

**Chapter 1**  
**Introduction to the TMS320C5515**  
**eZdsp USB Stick**

---

---

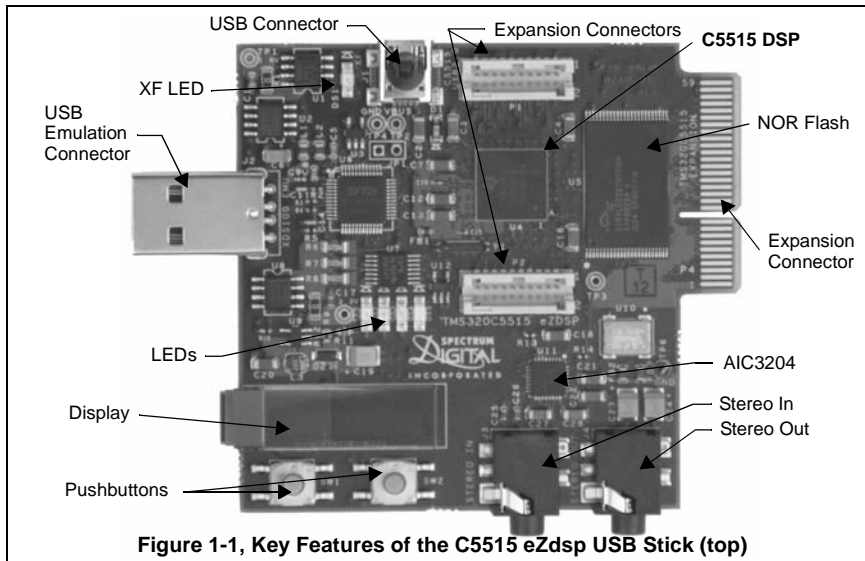
This chapter provides you with an overview of the C5515 eZdsp USB Stick along with the key features.

Topic	Page
<b>1.0 Overview of the TMS320C5515 eZdsp USB Stick</b>	<b>1-2</b>
<b>1.1 Key Features of the TMS320C5515 eZdsp USB Stick</b>	<b>1-3</b>
<b>1.2 C5515 eZdsp USB Stick Block Diagram</b>	<b>1-3</b>
<b>1.3 C5515 eZdsp Memory Map</b>	<b>1-4</b>
<b>1.4 C5515 eZdsp I<sup>2</sup>C Addressing</b>	<b>1-4</b>

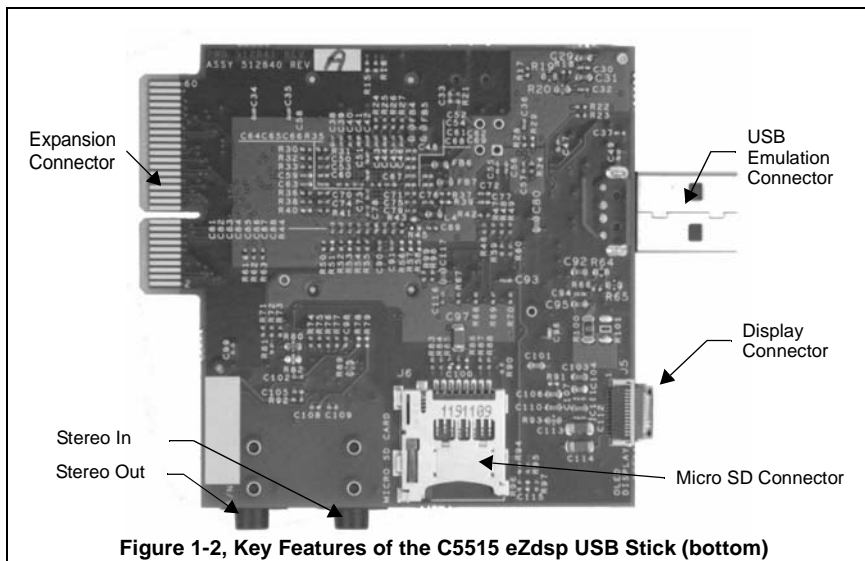
**1.0 Overview of the C5515 eZdsp USB Stick**

The C5515 eZdsp USB Stick is an evaluation tool for the Texas Instruments TMS320C5515 Digital Signal Processor (DSP). This USB bus powered tool allows the user to evaluate the following items:

- The TMS320C5515 processor along with its peripherals
- The TLV320AIC3204 codec
- The Code Composer Studio IDE™ software development tools



**Figure 1-1, Key Features of the C5515 eZdsp USB Stick (top)**



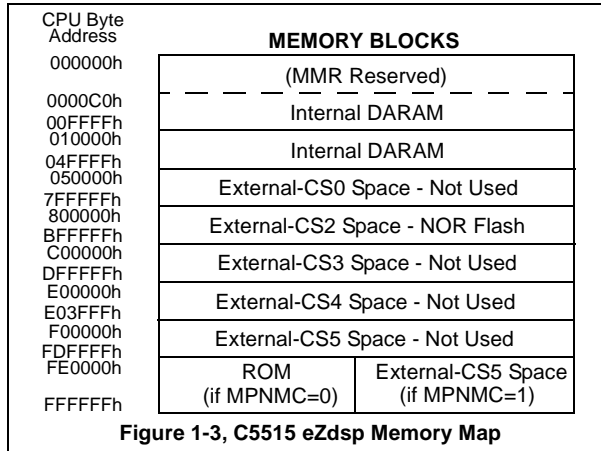
**Figure 1-2, Key Features of the C5515 eZdsp USB Stick (bottom)**





### 1.3 C5515 eZdsp Memory Map

The C5515 eZdsp supports on chip DARAM, and off chip NOR Flash. The addressing for each of these memory blocks is shown in the figure below.



**Note:** MPNMC bit in ST3 Status Register is cleared(0) at RESET so the C5515 will attempt to execute its boot load sequence.

### 1.4 C5515 eZdsp I<sup>2</sup>C Addressing

The C5515 eZdsp has multiple I<sup>2</sup>C devices for different purposes. The table below shows the addresses of these devices on the I<sup>2</sup>C bus.

**Table 1: C5515 eZdsp I<sup>2</sup>C Addresses**

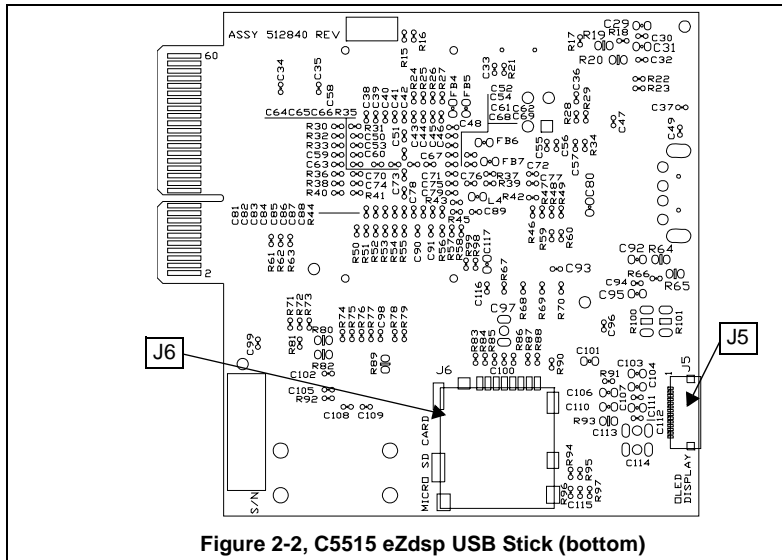
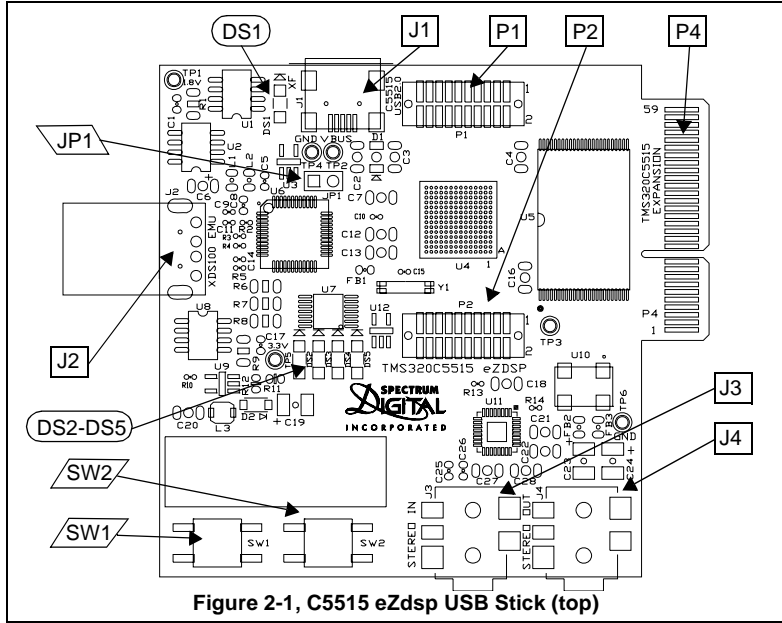
eZdsp I <sup>2</sup> C Device	I <sup>2</sup> C Address	Function
TLV320AIC3204	0x18	Audio CODEC
OSD9616GLBGG01	0x3C	OLED Display

This chapter describes the physical layout of the TMS320C5515 eZdsp USB Stick.

Topic	Page
<b>2.0 Board Layout</b>	<b>2-2</b>
<b>2.1 Connector Index</b>	<b>2-3</b>
2.1.1 J1, C5515 USB Connector	2-3
2.1.2 J2, XDS100 USB Connector	2-4
2.1.3 J3, Audio In Connector	2-4
2.1.4 J4, Audio Out Connector	2-5
2.1.5 J5, LCD Interface	2-6
2.1.6 J6, Micro SD Connector	2-6
2.1.7 P1, P2, Bluetooth Board Interface	2-7
2.1.8 P4, Expansion Connector	2-8
<b>2.2 System LEDs</b>	<b>2-10</b>
<b>2.3 Switches</b>	<b>2-10</b>
<b>2.4 Jumpers</b>	<b>2-10</b>
<b>2.5 Test Points</b>	<b>2-11</b>

2.0 Board Layout

The C5515 eZdsp USB Stick is a 2.85 x 2.65 inch six (6) layer printed circuit board which is powered off the USB bus of personal computer or laptop computer. This means this board does not require an external power supply.



## 2.1 Connector Index

The C5515 eZdsp USB Stick has nine (9) connectors which provide the user access to various signals on the C5515 Stick. These connectors are shown in the table below.

**Table 1: C5515 eZdsp USB Stick Connectors**

Connector	# Pins	Function	Schematic Page	Board Side
J1	4	C5515 USB	3	Top
J2	6	Emulation USB	13	Top
J3	2	Audio In	10	Top
J4	2	Audio Out	10	Top
J5	14	LCD Interface	11	Top
J6	8	Micro SD Interface	8	Top
P1	20	Bluetooth Board Interface	7	Top
P2	20	Bluetooth Board Interface	7	Top
P4	30 x 2	Expansion	12	Top/Bottom

The following manufacturer and parts numbers can be used to interface to the connectors on the C5515 eZdsp:

**Table 2: C5515 eZdsp Mating Connectors**

Connector	Manufacturer	Part #
J2	PC or laptop	
J3	CUI Inc	CUI SP-3501, Digi-Key CP-3502-ND
J4	CUI Inc	CUI SP-3501, Digi-Key CP-3502-ND
P4	Samtec	Samtec MEC1-130-02-S-D-A, Digi-Key SAM8118-ND

### 2.1.1 J1, C5515 USB Connector

The USB connector, J1, is attached the C5515 processor for use by C5515 software applications. The signals on the pins of this connector are shown below.

**Table 3: J1, C5515 USB Connector**

Pin #	Signal Name
1	USBVDD
2	D-
3	D+
4	ID / NC
5	USBVSS/GND
6-9	GND

### 2.1.2 J2, XDS100 USB Connector

The USB connector, J2, is used to attach the C5515 eZdsp stick to a personal computer or laptop. The signals on the pins of this connector are shown below.

**Table 4: J2, XDS100 USB Connector**

Pin #	Signal Name
1	5V_USB
2	D+
3	D-
4	GND
5	Shield Ground
6	Shield Ground

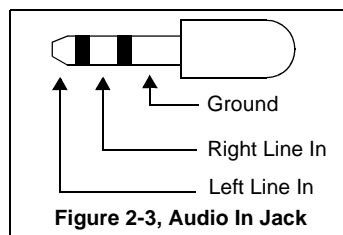
### 2.1.3 J3, Audio In Connector

The Audio In connector, J3, is used to bring signals into the TLP320AIC3204 codec. The signals on the pins of this connector are shown below.

**Table 5: J3, Audio In Connector**

Pin #	Signal Name	AIC3204 Pin #
1	GND-AIC	
2	AIC_LINE2L	15
3	AIC_LINE2R	16
4	No connect	
5	No connect	

The figure below shows a typical stereo jack.



**Figure 2-3, Audio In Jack**

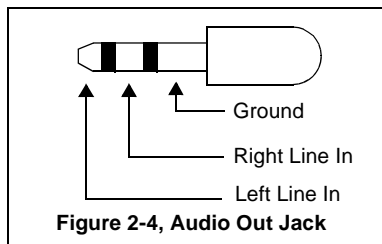
2.1.4 J4, Audio Out Connector

The Audio Out connector, J4, is used to bring signals from the TLP320AIC3204 codec. The signals on the pins of this connector are shown below.

Table 6: J4, Audio Out Connector

Pin #	Signal Name	AIC3204 Pin #
1	GND-AIC	
2	HEADPHONE_LOUT	25
3	HEADPHONE_ROUT	27
4	No connect	
5	No connect	

The figure below shows a typical audio out jack.



### 2.1.5 J5, LCD Interface

Connector, J5, is used to interface to an LCD character display. The signals on the pins of this connector are shown below.

**Table 7: J5, LCD Interface**

Pin #	Signal Name
1	C2P
2	C2N
3	C1P
4	C1N
5	VBAT
6	VBREF
7	GND
8	VCC_3V3
9	TARGET_PWR_GOOD
10	I2C_SCL
11	I2C_SDA/
12	IREF
13	VCOMH
14	V13

### 2.1.6 J6, Micro SD Connector

The Micro SD connector, J6, is used to interface the C5515 processor to a Micro SD card. The signals on the pins of this connector are shown below.

**Table 8: J6, Micro SD Connector**

Pin #	Signal Name
1	DAT2
2	DAT3
3	CMD
4	VDD
5	CLK
6	VSS
7	DAT0
8	DAT1
9	INSERT
10	INSERT_COM



**2.1.7 P1, P2, Bluetooth Board Interface**

Connectors P1, and P2 are expansion connectors used to provide an interface to a Bluetooth board. The signals on the pins of these connectors are shown in the tables below.

**Table 9: P1, Bluetooth Board Interface**

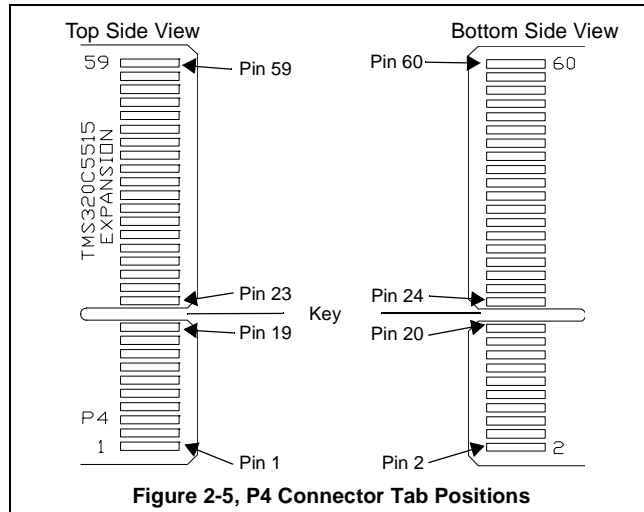
Pin #	Signal Name	Pin #	Signal Name
1	GND	2	SD_DATA0
3	UART_RTS	4	SD_DATA1
5	RTC_CLKOUT	6	SD_DATA2
7	UART_RX	8	SD_DATA3
9	UART_TX	10	GPIO4
11	I2C_SDA	12	GPIO5
13	I2C_SCL	14	I2S2_FS
15	SD_CLK	16	I2S2_CLK
17	SD_CMD	18	I2S2_DX
19	GND	20	I2S2_RX

**Table 10: P2, Bluetooth Board Interface**

Pin #	Signal Name	Pin #	Signal Name
1	NC	2	GND
3	NC	4	NC
5	NC	6	NC
7	VCC_3V3	8	I2S1_DX
9	VCC_3V3	10	I2S1_RX
11	I2S1_FS	12	NC
13	GPIO12	14	NC
15	GPIO14	16	NC
17	I2S1_CLK	18	UART_CTS
19	GPIO14	20	GPIO13

2.1.8 P4, Expansion Connector

The Expansion connector, P4, is used to bring signals from C5515 DSP out to a connector for user interface. This card edge connector has all of the odd number (1,3,....,59) tabs on the top side of the board and all of the even number tabs (2,4,....,46) on the bottom side of the board. The diagram below shows the position of these tabs.



The table below lists the signals that appear on each of the tabs of connector P1. The signals on the pins of this connector are shown below.

**Table 11: P4, Expansion Connector**

<b>Pin # Top</b>	<b>Signal Name</b>	<b>Pin # Bottom</b>	<b>Signal Name</b>
1	GND	2	GND
3	SPI_CS1	4	GPIO13
5	SPI_CLK	6	GPIO12
7	SPI_TX	8	GPIO14
9	SPI_RX	10	GPIO15
11	GND	12	GND
13	GND	14	GND
15	GND	16	GND
17	I2C_SDA	18	GPIO16
19	I2C_SCL	20	GPIO17
	Key		Key
23	I2S2_CLK	24	SD_DATA3
25	I2S2_RX	26	SD_DATA2
27	I2S2_DX	28	GPIO5
29	I2S2_FS	30	GPIO4
31	GND	32	GND
33	SD_CLK	34	UART_RTS
35	SD_DATA1	36	UART_CTS
37	SD_DATA0	38	UART_RX
39	SD_CMD	40	UART_TX
41	VCC_3V3	42	VCC_3V3
43	VCC_3V3	44	VCC_3V3
45	I2S0_CLK	46	SPI_CS3
47	I2S0_RX	48	VCC_3V3
49	I2S0_DX	50	GPAIN3
51	I2S0_FS	52	GPAIN2
53	SPI_CS2	54	GPAIN1
55	SPI_CS0	56	GPAIN0
57	VCC_3V3	58	VCC_3V3
59	VCC_3V3	60	VCC_3V3

## 2.2 System LEDs

The C5515 eZdsp USB Stick has 5 Light Emitting Diodes (LED). These LEDs are under the application software control running on the C5515 processor. These LEDs are shown in the table below.

Table 12: System LEDs

LED #	Color	Schematic Page	Signal Name
DS1	Green	2	C5515 XF
DS2	Green	11	GPIO17
DS3	Red	11	GPIO18
DS4	Yellow	11	GPIO15
DS5	Blue	11	GPIO14

## 2.3 Switches

The C5515 eZdsp USB Stick has two push button switches. These switches can be read by application software running on the C5515 processor. These switches are shown in the table below.

Table 13: Switches

Switch #	Schematic Page	Signal Name/Reading
SW1 only closed	11	GPAIN1, approximately 1.2 volts
SW2 only closed	11	GPAIN1, approximately 0.9 volts
SW1, SW2 closed	11	GPAIN1, approximately 0.72 volts

## 2.4 Jumpers

The C5515 eZdsp stick has one jumper, JP1. When this jumper is shorted the C5515 eZdsp stick will be powered from the target USB interface, not the embedded USB interface. When this jumper is shorted the embedded USB emulation and debug capability are no longer available. This jumper is shipped in the "open" state from the factory.

### **WARNING !**

When the jumper J1 is shorted do NOT plug the connector J2 into a USB port. This will damage the C5515 eZdsp stick.

2.5 Test Points

The C5515 eZdsp USB Stick has six (6) test points for the monitoring of signals. The location of the test points are shown in the figure below.

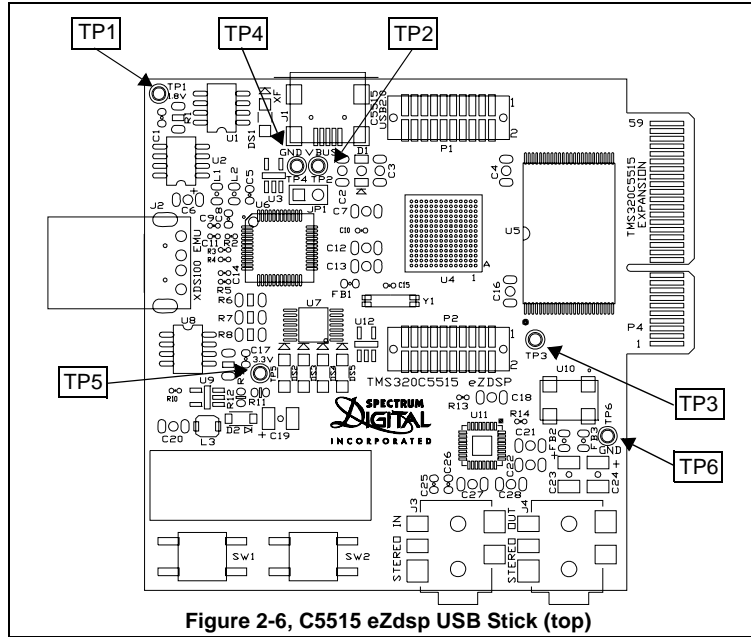


Figure 2-6, C5515 eZdsp USB Stick (top)

The signals on the test points are shown in the table below.

Table 14: Test Points

TP #	Schematic Page	Signal Name
TP1	9	VCC_1V8
TP2	3	VBUS
TP3	3	CLKOUT
TP4	5	GND
TP5	9	VCC_3V3
TP6	10	GND



## Appendix A

### Schematics

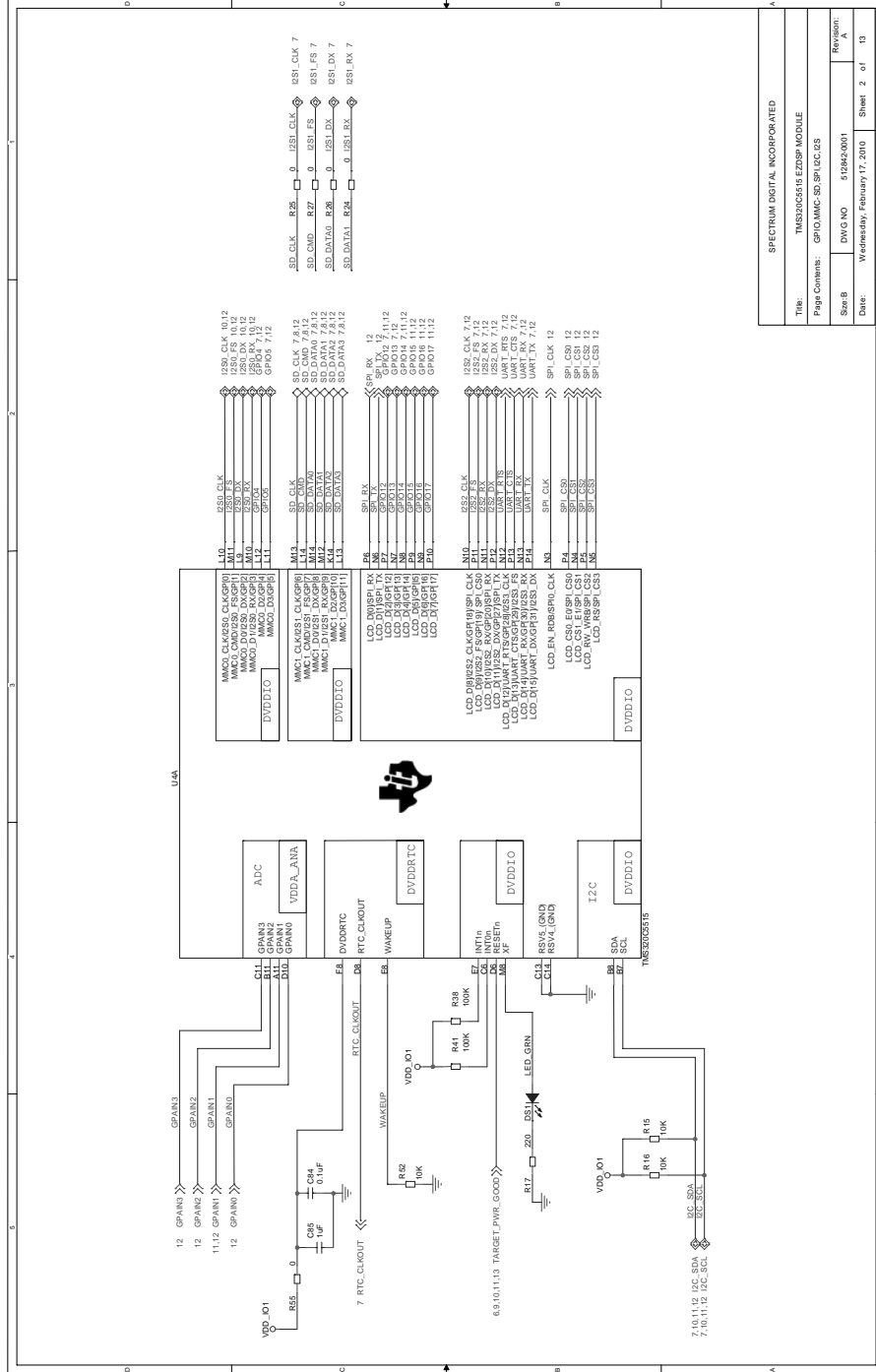
---

---

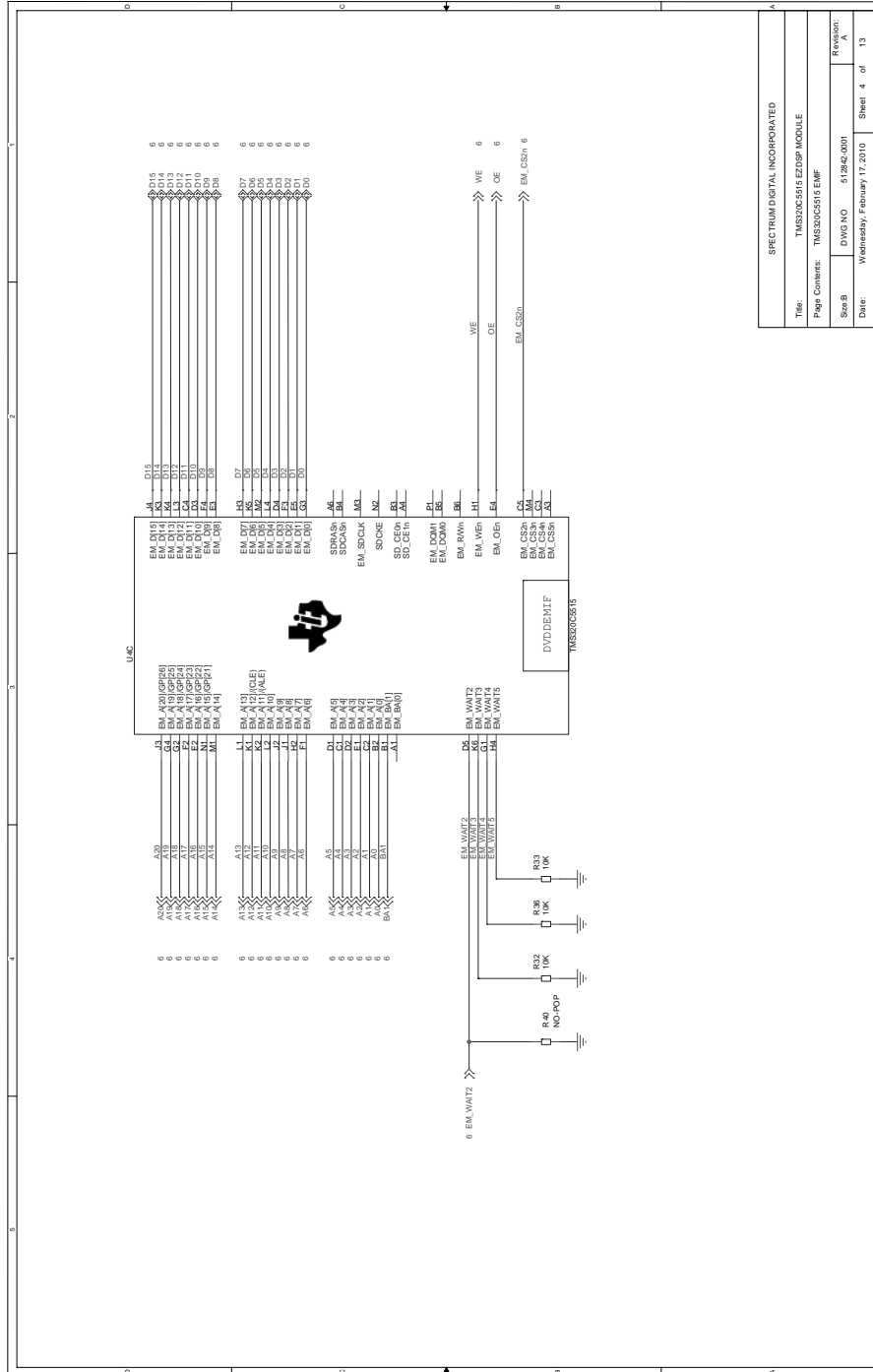
This appendix contains the schematics for the TMS320C5515 eZdsp USB Stick.

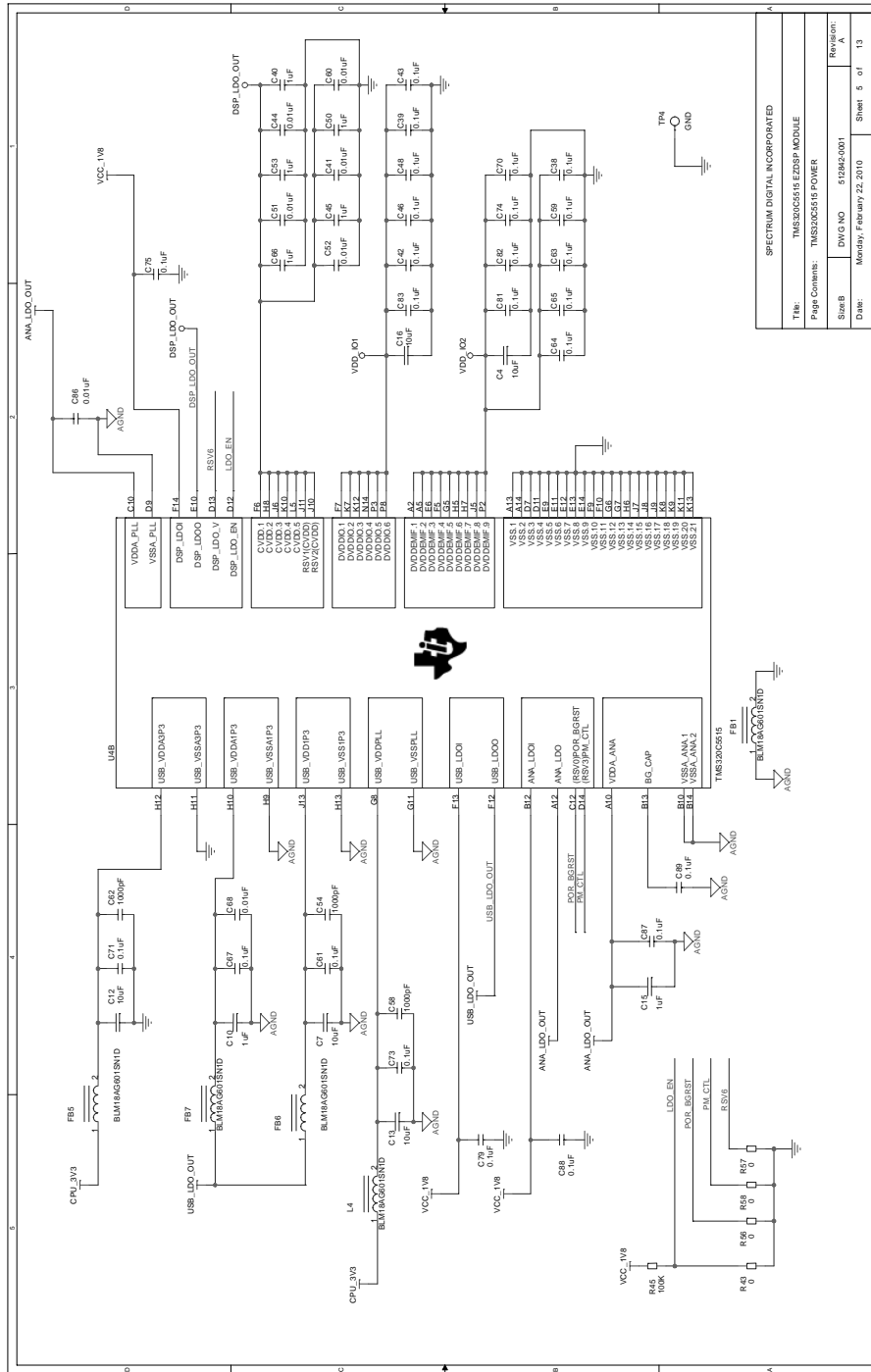
REV	DESCRIPTION	DATE	APPROVED																																														
A	Initial schematic for layout	10/15/2009	BSP																																														
<p>NOTES, UNLESS OTHERWISE SPECIFIED:</p> <ol style="list-style-type: none"> <li>1. RESISTANCE VALUES IN OHMS.</li> <li>2. CAPACITANCE VALUES IN MICROFARADS.</li> <li>3. REFERENCE DESIGNATORS USED:</li> <li>4. ALL 0.1 UF AND 0.1UF CAPACITORS ARE BICOUPLING CAPS UNLESS OTHERWISE NOTED. ALL CAPACITORS ARE TO BE PLACED WITH THE INTEGRATED CIRCUITS THEY SHOULD BE PLACED NEAR.</li> </ol> <p style="text-align:center; margin-top: 20px;">SCHEMATIC CONTENTS</p> <ul style="list-style-type: none"> <li>01 - TITLE PAGE</li> <li>02 - TMS320C5515 GPIO/MMC/SPI/I2C</li> <li>03 - TMS320C5515 CLK/JTAG/USB2</li> <li>04 - TMS320C5515 EMIF</li> <li>05 - TMS320C5515 POWER</li> <li>06 - NOR FLASH</li> <li>07 - CC BOARD INTERFACE</li> <li>08 - MICRO SD INTERFACE</li> <li>09 - POWER SUPPLIES</li> <li>10 - AUDIO CODEC</li> <li>11 - LCD/USER LEDS/SWITCHES</li> <li>12 - EXPANSION CONNECTOR</li> <li>13 - XDS100 INTERFACE</li> </ul>																																																	
<table border="1" style="width:100%; border-collapse: collapse;"> <thead> <tr> <th>REV</th> <th>DATE</th> <th>BY</th> <th>CHK</th> <th>APP</th> <th>DATE</th> </tr> </thead> <tbody> <tr> <td> </td> <td>10/15/2009</td> <td> </td> <td> </td> <td> </td> <td> </td> </tr> <tr> <td> </td> <td>10/15/2009</td> <td> </td> <td> </td> <td> </td> <td> </td> </tr> <tr> <td> </td> <td>10/15/2009</td> <td> </td> <td> </td> <td> </td> <td> </td> </tr> <tr> <td> </td> <td>10/15/2009</td> <td> </td> <td> </td> <td> </td> <td> </td> </tr> <tr> <td> </td> <td>10/15/2009</td> <td> </td> <td> </td> <td> </td> <td> </td> </tr> <tr> <td> </td> <td>10/15/2009</td> <td> </td> <td> </td> <td> </td> <td> </td> </tr> </tbody> </table>								REV	DATE	BY	CHK	APP	DATE		10/15/2009						10/15/2009						10/15/2009						10/15/2009						10/15/2009						10/15/2009				
REV	DATE	BY	CHK	APP	DATE																																												
	10/15/2009																																																
	10/15/2009																																																
	10/15/2009																																																
	10/15/2009																																																
	10/15/2009																																																
	10/15/2009																																																
<table border="1" style="width:100%; border-collapse: collapse;"> <thead> <tr> <th>REV</th> <th>DATE</th> <th>BY</th> <th>CHK</th> <th>APP</th> <th>DATE</th> </tr> </thead> <tbody> <tr> <td> </td> <td>10/15/2009</td> <td> </td> <td> </td> <td> </td> <td> </td> </tr> <tr> <td> </td> <td>10/15/2009</td> <td> </td> <td> </td> <td> </td> <td> </td> </tr> <tr> <td> </td> <td>10/15/2009</td> <td> </td> <td> </td> <td> </td> <td> </td> </tr> <tr> <td> </td> <td>10/15/2009</td> <td> </td> <td> </td> <td> </td> <td> </td> </tr> <tr> <td> </td> <td>10/15/2009</td> <td> </td> <td> </td> <td> </td> <td> </td> </tr> <tr> <td> </td> <td>10/15/2009</td> <td> </td> <td> </td> <td> </td> <td> </td> </tr> </tbody> </table>								REV	DATE	BY	CHK	APP	DATE		10/15/2009						10/15/2009						10/15/2009						10/15/2009						10/15/2009						10/15/2009				
REV	DATE	BY	CHK	APP	DATE																																												
	10/15/2009																																																
	10/15/2009																																																
	10/15/2009																																																
	10/15/2009																																																
	10/15/2009																																																
	10/15/2009																																																
<table border="1" style="width:100%; border-collapse: collapse;"> <thead> <tr> <th>REV</th> <th>DATE</th> <th>BY</th> <th>CHK</th> <th>APP</th> <th>DATE</th> </tr> </thead> <tbody> <tr> <td> </td> <td>10/15/2009</td> <td> </td> <td> </td> <td> </td> <td> </td> </tr> <tr> <td> </td> <td>10/15/2009</td> <td> </td> <td> </td> <td> </td> <td> </td> </tr> <tr> <td> </td> <td>10/15/2009</td> <td> </td> <td> </td> <td> </td> <td> </td> </tr> <tr> <td> </td> <td>10/15/2009</td> <td> </td> <td> </td> <td> </td> <td> </td> </tr> <tr> <td> </td> <td>10/15/2009</td> <td> </td> <td> </td> <td> </td> <td> </td> </tr> <tr> <td> </td> <td>10/15/2009</td> <td> </td> <td> </td> <td> </td> <td> </td> </tr> </tbody> </table>								REV	DATE	BY	CHK	APP	DATE		10/15/2009						10/15/2009						10/15/2009						10/15/2009						10/15/2009						10/15/2009				
REV	DATE	BY	CHK	APP	DATE																																												
	10/15/2009																																																
	10/15/2009																																																
	10/15/2009																																																
	10/15/2009																																																
	10/15/2009																																																
	10/15/2009																																																
<table border="1" style="width:100%; border-collapse: collapse;"> <thead> <tr> <th>REV</th> <th>DATE</th> <th>BY</th> <th>CHK</th> <th>APP</th> <th>DATE</th> </tr> </thead> <tbody> <tr> <td> </td> <td>10/15/2009</td> <td> </td> <td> </td> <td> </td> <td> </td> </tr> <tr> <td> </td> <td>10/15/2009</td> <td> </td> <td> </td> <td> </td> <td> </td> </tr> <tr> <td> </td> <td>10/15/2009</td> <td> </td> <td> </td> <td> </td> <td> </td> </tr> <tr> <td> </td> <td>10/15/2009</td> <td> </td> <td> </td> <td> </td> <td> </td> </tr> <tr> <td> </td> <td>10/15/2009</td> <td> </td> <td> </td> <td> </td> <td> </td> </tr> <tr> <td> </td> <td>10/15/2009</td> <td> </td> <td> </td> <td> </td> <td> </td> </tr> </tbody> </table>								REV	DATE	BY	CHK	APP	DATE		10/15/2009						10/15/2009						10/15/2009						10/15/2009						10/15/2009						10/15/2009				
REV	DATE	BY	CHK	APP	DATE																																												
	10/15/2009																																																
	10/15/2009																																																
	10/15/2009																																																
	10/15/2009																																																
	10/15/2009																																																
	10/15/2009																																																
<table border="1" style="width:100%; border-collapse: collapse;"> <thead> <tr> <th>REV</th> <th>DATE</th> <th>BY</th> <th>CHK</th> <th>APP</th> <th>DATE</th> </tr> </thead> <tbody> <tr> <td> </td> <td>10/15/2009</td> <td> </td> <td> </td> <td> </td> <td> </td> </tr> <tr> <td> </td> <td>10/15/2009</td> <td> </td> <td> </td> <td> </td> <td> </td> </tr> <tr> <td> </td> <td>10/15/2009</td> <td> </td> <td> </td> <td> </td> <td> </td> </tr> <tr> <td> </td> <td>10/15/2009</td> <td> </td> <td> </td> <td> </td> <td> </td> </tr> <tr> <td> </td> <td>10/15/2009</td> <td> </td> <td> </td> <td> </td> <td> </td> </tr> <tr> <td> </td> <td>10/15/2009</td> <td> </td> <td> </td> <td> </td> <td> </td> </tr> </tbody> </table>								REV	DATE	BY	CHK	APP	DATE		10/15/2009						10/15/2009						10/15/2009						10/15/2009						10/15/2009						10/15/2009				
REV	DATE	BY	CHK	APP	DATE																																												
	10/15/2009																																																
	10/15/2009																																																
	10/15/2009																																																
	10/15/2009																																																
	10/15/2009																																																
	10/15/2009																																																
<table border="1" style="width:100%; border-collapse: collapse;"> <thead> <tr> <th>REV</th> <th>DATE</th> <th>BY</th> <th>CHK</th> <th>APP</th> <th>DATE</th> </tr> </thead> <tbody> <tr> <td> </td> <td>10/15/2009</td> <td> </td> <td> </td> <td> </td> <td> </td> </tr> <tr> <td> </td> <td>10/15/2009</td> <td> </td> <td> </td> <td> </td> <td> </td> </tr> <tr> <td> </td> <td>10/15/2009</td> <td> </td> <td> </td> <td> </td> <td> </td> </tr> <tr> <td> </td> <td>10/15/2009</td> <td> </td> <td> </td> <td> </td> <td> </td> </tr> <tr> <td> </td> <td>10/15/2009</td> <td> </td> <td> </td> <td> </td> <td> </td> </tr> <tr> <td> </td> <td>10/15/2009</td> <td> </td> <td> </td> <td> </td> <td> </td> </tr> </tbody> </table>								REV	DATE	BY	CHK	APP	DATE		10/15/2009						10/15/2009						10/15/2009						10/15/2009						10/15/2009						10/15/2009				
REV	DATE	BY	CHK	APP	DATE																																												
	10/15/2009																																																
	10/15/2009																																																
	10/15/2009																																																
	10/15/2009																																																
	10/15/2009																																																
	10/15/2009																																																
<table border="1" style="width:100%; border-collapse: collapse;"> <thead> <tr> <th>REV</th> <th>DATE</th> <th>BY</th> <th>CHK</th> <th>APP</th> <th>DATE</th> </tr> </thead> <tbody> <tr> <td> </td> <td>10/15/2009</td> <td> </td> <td> </td> <td> </td> <td> </td> </tr> <tr> <td> </td> <td>10/15/2009</td> <td> </td> <td> </td> <td> </td> <td> </td> </tr> <tr> <td> </td> <td>10/15/2009</td> <td> </td> <td> </td> <td> </td> <td> </td> </tr> <tr> <td> </td> <td>10/15/2009</td> <td> </td> <td> </td> <td> </td> <td> </td> </tr> <tr> <td> </td> <td>10/15/2009</td> <td> </td> <td> </td> <td> </td> <td> </td> </tr> <tr> <td> </td> <td>10/15/2009</td> <td> </td> <td> </td> <td> </td> <td> </td> </tr> </tbody> </table>								REV	DATE	BY	CHK	APP	DATE		10/15/2009						10/15/2009						10/15/2009						10/15/2009						10/15/2009						10/15/2009				
REV	DATE	BY	CHK	APP	DATE																																												
	10/15/2009																																																
	10/15/2009																																																
	10/15/2009																																																
	10/15/2009																																																
	10/15/2009																																																
	10/15/2009																																																
<table border="1" style="width:100%; border-collapse: collapse;"> <thead> <tr> <th>REV</th> <th>DATE</th> <th>BY</th> <th>CHK</th> <th>APP</th> <th>DATE</th> </tr> </thead> <tbody> <tr> <td> </td> <td>10/15/2009</td> <td> </td> <td> </td> <td> </td> <td> </td> </tr> <tr> <td> </td> <td>10/15/2009</td> <td> </td> <td> </td> <td> </td> <td> </td> </tr> <tr> <td> </td> <td>10/15/2009</td> <td> </td> <td> </td> <td> </td> <td> </td> </tr> <tr> <td> </td> <td>10/15/2009</td> <td> </td> <td> </td> <td> </td> <td> </td> </tr> <tr> <td> </td> <td>10/15/2009</td> <td> </td> <td> </td> <td> </td> <td> </td> </tr> <tr> <td> </td> <td>10/15/2009</td> <td> </td> <td> </td> <td> </td> <td> </td> </tr> </tbody> </table>								REV	DATE	BY	CHK	APP	DATE		10/15/2009						10/15/2009						10/15/2009						10/15/2009						10/15/2009						10/15/2009				
REV	DATE	BY	CHK	APP	DATE																																												
	10/15/2009																																																
	10/15/2009																																																
	10/15/2009																																																
	10/15/2009																																																
	10/15/2009																																																
	10/15/2009																																																
<table border="1" style="width:100%; border-collapse: collapse;"> <thead> <tr> <th>REV</th> <th>DATE</th> <th>BY</th> <th>CHK</th> <th>APP</th> <th>DATE</th> </tr> </thead> <tbody> <tr> <td> </td> <td>10/15/2009</td> <td> </td> <td> </td> <td> </td> <td> </td> </tr> <tr> <td> </td> <td>10/15/2009</td> <td> </td> <td> </td> <td> </td> <td> </td> </tr> <tr> <td> </td> <td>10/15/2009</td> <td> </td> <td> </td> <td> </td> <td> </td> </tr> <tr> <td> </td> <td>10/15/2009</td> <td> </td> <td> </td> <td> </td> <td> </td> </tr> <tr> <td> </td> <td>10/15/2009</td> <td> </td> <td> </td> <td> </td> <td> </td> </tr> <tr> <td> </td> <td>10/15/2009</td> <td> </td> <td> </td> <td> </td> <td> </td> </tr> </tbody> </table>								REV	DATE	BY	CHK	APP	DATE		10/15/2009						10/15/2009						10/15/2009						10/15/2009						10/15/2009						10/15/2009				
REV	DATE	BY	CHK	APP	DATE																																												
	10/15/2009																																																
	10/15/2009																																																
	10/15/2009																																																
	10/15/2009																																																
	10/15/2009																																																
	10/15/2009																																																
<table border="1" style="width:100%; border-collapse: collapse;"> <thead> <tr> <th>REV</th> <th>DATE</th> <th>BY</th> <th>CHK</th> <th>APP</th> <th>DATE</th> </tr> </thead> <tbody> <tr> <td> </td> <td>10/15/2009</td> <td> </td> <td> </td> <td> </td> <td> </td> </tr> <tr> <td> </td> <td>10/15/2009</td> <td> </td> <td> </td> <td> </td> <td> </td> </tr> <tr> <td> </td> <td>10/15/2009</td> <td> </td> <td> </td> <td> </td> <td> </td> </tr> <tr> <td> </td> <td>10/15/2009</td> <td> </td> <td> </td> <td> </td> <td> </td> </tr> <tr> <td> </td> <td>10/15/2009</td> <td> </td> <td> </td> <td> </td> <td> </td> </tr> <tr> <td> </td> <td>10/15/2009</td> <td> </td> <td> </td> <td> </td> <td> </td> </tr> </tbody> </table>								REV	DATE	BY	CHK	APP	DATE		10/15/2009						10/15/2009						10/15/2009						10/15/2009						10/15/2009						10/15/2009				
REV	DATE	BY	CHK	APP	DATE																																												
	10/15/2009																																																
	10/15/2009																																																
	10/15/2009																																																
	10/15/2009																																																
	10/15/2009																																																
	10/15/2009																																																
<table border="1" style="width:100%; border-collapse: collapse;"> <thead> <tr> <th>REV</th> <th>DATE</th> <th>BY</th> <th>CHK</th> <th>APP</th> <th>DATE</th> </tr> </thead> <tbody> <tr> <td> </td> <td>10/15/2009</td> <td> </td> <td> </td> <td> </td> <td> </td> </tr> <tr> <td> </td> <td>10/15/2009</td> <td> </td> <td> </td> <td> </td> <td> </td> </tr> <tr> <td> </td> <td>10/15/2009</td> <td> </td> <td> </td> <td> </td> <td> </td> </tr> <tr> <td> </td> <td>10/15/2009</td> <td> </td> <td> </td> <td> </td> <td> </td> </tr> <tr> <td> </td> <td>10/15/2009</td> <td> </td> <td> </td> <td> </td> <td> </td> </tr> <tr> <td> </td> <td>10/15/2009</td> <td> </td> <td> </td> <td> </td> <td> </td> </tr> </tbody> </table>								REV	DATE	BY	CHK	APP	DATE		10/15/2009						10/15/2009						10/15/2009						10/15/2009						10/15/2009						10/15/2009				
REV	DATE	BY	CHK	APP	DATE																																												
	10/15/2009																																																
	10/15/2009																																																
	10/15/2009																																																
	10/15/2009																																																
	10/15/2009																																																
	10/15/2009																																																
<table border="1" style="width:100%; border-collapse: collapse;"> <thead> <tr> <th>REV</th> <th>DATE</th> <th>BY</th> <th>CHK</th> <th>APP</th> <th>DATE</th> </tr> </thead> <tbody> <tr> <td> </td> <td>10/15/2009</td> <td> </td> <td> </td> <td> </td> <td> </td> </tr> <tr> <td> </td> <td>10/15/2009</td> <td> </td> <td> </td> <td> </td> <td> </td> </tr> <tr> <td> </td> <td>10/15/2009</td> <td> </td> <td> </td> <td> </td> <td> </td> </tr> <tr> <td> </td> <td>10/15/2009</td> <td> </td> <td> </td> <td> </td> <td> </td> </tr> <tr> <td> </td> <td>10/15/2009</td> <td> </td> <td> </td> <td> </td> <td> </td> </tr> <tr> <td> </td> <td>10/15/2009</td> <td> </td> <td> </td> <td> </td> <td> </td> </tr> </tbody> </table>								REV	DATE	BY	CHK	APP	DATE		10/15/2009						10/15/2009						10/15/2009						10/15/2009						10/15/2009						10/15/2009				
REV	DATE	BY	CHK	APP	DATE																																												
	10/15/2009																																																
	10/15/2009																																																
	10/15/2009																																																
	10/15/2009																																																
	10/15/2009																																																
	10/15/2009																																																
<table border="1" style="width:100%; border-collapse: collapse;"> <thead> <tr> <th>REV</th> <th>DATE</th> <th>BY</th> <th>CHK</th> <th>APP</th> <th>DATE</th> </tr> </thead> <tbody> <tr> <td> </td> <td>10/15/2009</td> <td> </td> <td> </td> <td> </td> <td> </td> </tr> <tr> <td> </td> <td>10/15/2009</td> <td> </td> <td> </td> <td> </td> <td> </td> </tr> <tr> <td> </td> <td>10/15/2009</td> <td> </td> <td> </td> <td> </td> <td> </td> </tr> <tr> <td> </td> <td>10/15/2009</td> <td> </td> <td> </td> <td> </td> <td> </td> </tr> <tr> <td> </td> <td>10/15/2009</td> <td> </td> <td> </td> <td> </td> <td> </td> </tr> <tr> <td> </td> <td>10/15/2009</td> <td> </td> <td> </td> <td> </td> <td> </td> </tr> </tbody> </table>								REV	DATE	BY	CHK	APP	DATE		10/15/2009						10/15/2009						10/15/2009						10/15/2009						10/15/2009						10/15/2009				
REV	DATE	BY	CHK	APP	DATE																																												
	10/15/2009																																																
	10/15/2009																																																
	10/15/2009																																																
	10/15/2009																																																
	10/15/2009																																																
	10/15/2009																																																
<table border="1" style="width:100%; border-collapse: collapse;"> <thead> <tr> <th>REV</th> <th>DATE</th> <th>BY</th> <th>CHK</th> <th>APP</th> <th>DATE</th> </tr> </thead> <tbody> <tr> <td> </td> <td>10/15/2009</td> <td> </td> <td> </td> <td> </td> <td> </td> </tr> <tr> <td> </td> <td>10/15/2009</td> <td> </td> <td> </td> <td> </td> <td> </td> </tr> <tr> <td> </td> <td>10/15/2009</td> <td> </td> <td> </td> <td> </td> <td> </td> </tr> <tr> <td> </td> <td>10/15/2009</td> <td> </td> <td> </td> <td> </td> <td> </td> </tr> <tr> <td> </td> <td>10/15/2009</td> <td> </td> <td> </td> <td> </td> <td> </td> </tr> <tr> <td> </td> <td>10/15/2009</td> <td> </td> <td> </td> <td> </td> <td> </td> </tr> </tbody> </table>								REV	DATE	BY	CHK	APP	DATE		10/15/2009						10/15/2009						10/15/2009						10/15/2009						10/15/2009						10/15/2009				
REV	DATE	BY	CHK	APP	DATE																																												
	10/15/2009																																																
	10/15/2009																																																
	10/15/2009																																																
	10/15/2009																																																
	10/15/2009																																																
	10/15/2009																																																
<table border="1" style="width:100%; border-collapse: collapse;"> <thead> <tr> <th>REV</th> <th>DATE</th> <th>BY</th> <th>CHK</th> <th>APP</th> <th>DATE</th> </tr> </thead> <tbody> <tr> <td> </td> <td>10/15/2009</td> <td> </td> <td> </td> <td> </td> <td> </td> </tr> <tr> <td> </td> <td>10/15/2009</td> <td> </td> <td> </td> <td> </td> <td> </td> </tr> <tr> <td> </td> <td>10/15/2009</td> <td> </td> <td> </td> <td> </td> <td> </td> </tr> <tr> <td> </td> <td>10/15/2009</td> <td> </td> <td> </td> <td> </td> <td> </td> </tr> <tr> <td> </td> <td>10/15/2009</td> <td> </td> <td> </td> <td> </td> <td> </td> </tr> <tr> <td> </td> <td>10/15/2009</td> <td> </td> <td> </td> <td> </td> <td> </td> </tr> </tbody> </table>								REV	DATE	BY	CHK	APP	DATE		10/15/2009						10/15/2009						10/15/2009						10/15/2009						10/15/2009						10/15/2009				
REV	DATE	BY	CHK	APP	DATE																																												
	10/15/2009																																																
	10/15/2009																																																
	10/15/2009																																																
	10/15/2009																																																
	10/15/2009																																																
	10/15/2009																																																
<table border="1" style="width:100%; border-collapse: collapse;"> <thead> <tr> <th>REV</th> <th>DATE</th> <th>BY</th> <th>CHK</th> <th>APP</th> <th>DATE</th> </tr> </thead> <tbody> <tr> <td> </td> <td>10/15/2009</td> <td> </td> <td> </td> <td> </td> <td> </td> </tr> <tr> <td> </td> <td>10/15/2009</td> <td> </td> <td> </td> <td> </td> <td> </td> </tr> <tr> <td> </td> <td>10/15/2009</td> <td> </td> <td> </td> <td> </td> <td> </td> </tr> <tr> <td> </td> <td>10/15/2009</td> <td> </td> <td> </td> <td> </td> <td> </td> </tr> <tr> <td> </td> <td>10/15/2009</td> <td> </td> <td> </td> <td> </td> <td> </td> </tr> <tr> <td> </td> <td>10/15/2009</td> <td> </td> <td> </td> <td> </td> <td> </td> </tr> </tbody> </table>								REV	DATE	BY	CHK	APP	DATE		10/15/2009						10/15/2009						10/15/2009						10/15/2009						10/15/2009						10/15/2009				
REV	DATE	BY	CHK	APP	DATE																																												
	10/15/2009																																																
	10/15/2009																																																
	10/15/2009																																																
	10/15/2009																																																
	10/15/2009																																																
	10/15/2009																																																
<table border="1" style="width:100%; border-collapse: collapse;"> <thead> <tr> <th>REV</th> <th>DATE</th> <th>BY</th> <th>CHK</th> <th>APP</th> <th>DATE</th> </tr> </thead> <tbody> <tr> <td> </td> <td>10/15/2009</td> <td> </td> <td> </td> <td> </td> <td> </td> </tr> <tr> <td> </td> <td>10/15/2009</td> <td> </td> <td> </td> <td> </td> <td> </td> </tr> <tr> <td> </td> <td>10/15/2009</td> <td> </td> <td> </td> <td> </td> <td> </td> </tr> <tr> <td> </td> <td>10/15/2009</td> <td> </td> <td> </td> <td> </td> <td> </td> </tr> <tr> <td> </td> <td>10/15/2009</td> <td> </td> <td> </td> <td> </td> <td> </td> </tr> <tr> <td> </td> <td>10/15/2009</td> <td> </td> <td> </td> <td> </td> <td> </td> </tr> </tbody> </table>								REV	DATE	BY	CHK	APP	DATE		10/15/2009						10/15/2009						10/15/2009						10/15/2009						10/15/2009						10/15/2009				
REV	DATE	BY	CHK	APP	DATE																																												
	10/15/2009																																																
	10/15/2009																																																
	10/15/2009																																																
	10/15/2009																																																
	10/15/2009																																																
	10/15/2009																																																
<table border="1" style="width:100%; border-collapse: collapse;"> <thead> <tr> <th>REV</th> <th>DATE</th> <th>BY</th> <th>CHK</th> <th>APP</th> <th>DATE</th> </tr> </thead> <tbody> <tr> <td> </td> <td>10/15/2009</td> <td> </td> <td> </td> <td> </td> <td> </td> </tr> <tr> <td> </td> <td>10/15/2009</td> <td> </td> <td> </td> <td> </td> <td> </td> </tr> <tr> <td> </td> <td>10/15/2009</td> <td> </td> <td> </td> <td> </td> <td> </td> </tr> <tr> <td> </td> <td>10/15/2009</td> <td> </td> <td> </td> <td> </td> <td> </td> </tr> <tr> <td> </td> <td>10/15/2009</td> <td> </td> <td> </td> <td> </td> <td> </td> </tr> <tr> <td> </td> <td>10/15/2009</td> <td> </td> <td> </td> <td> </td> <td> </td> </tr> </tbody> </table>								REV	DATE	BY	CHK	APP	DATE		10/15/2009						10/15/2009						10/15/2009						10/15/2009						10/15/2009						10/15/2009				
REV	DATE	BY	CHK	APP	DATE																																												
	10/15/2009																																																
	10/15/2009																																																
	10/15/2009																																																
	10/15/2009																																																
	10/15/2009																																																
	10/15/2009																																																
<table border="1" style="width:100%; border-collapse: collapse;"> <thead> <tr> <th>REV</th> <th>DATE</th> <th>BY</th> <th>CHK</th> <th>APP</th> <th>DATE</th> </tr> </thead> <tbody> <tr> <td> </td> <td>10/15/2009</td> <td> </td> <td> </td> <td> </td> <td> </td> </tr> <tr> <td> </td> <td>10/15/2009</td> <td> </td> <td> </td> <td> </td> <td> </td> </tr> <tr> <td> </td> <td>10/15/2009</td> <td> </td> <td> </td> <td> </td> <td> </td> </tr> <tr> <td> </td> <td>10/15/2009</td> <td> </td> <td> </td> <td> </td> <td> </td> </tr> <tr> <td> </td> <td>10/15/2009</td> <td> </td> <td> </td> <td> </td> <td> </td> </tr> <tr> <td> </td> <td>10/15/2009</td> <td> </td> <td> </td> <td> </td> <td> </td> </tr> </tbody> </table>								REV	DATE	BY	CHK	APP	DATE		10/15/2009						10/15/2009						10/15/2009						10/15/2009						10/15/2009						10/15/2009				
REV	DATE	BY	CHK	APP	DATE																																												
	10/15/2009																																																
	10/15/2009																																																
	10/15/2009																																																
	10/15/2009																																																
	10/15/2009																																																
	10/15/2009																																																
<table border="1" style="width:100%; border-collapse: collapse;"> <thead> <tr> <th>REV</th> <th>DATE</th> <th>BY</th> <th>CHK</th> <th>APP</th> <th>DATE</th> </tr> </thead> <tbody> <tr> <td> </td> <td>10/15/2009</td> <td> </td> <td> </td> <td> </td> <td> </td> </tr> <tr> <td> </td> <td>10/15/2009</td> <td> </td> <td> </td> <td> </td> <td> </td> </tr> <tr> <td> </td> <td>10/15/2009</td> <td> </td> <td> </td> <td> </td> <td> </td> </tr> <tr> <td> </td> <td>10/15/2009</td> <td> </td> <td> </td> <td> </td> <td> </td> </tr> <tr> <td> </td> <td>10/15/2009</td> <td> </td> <td> </td> <td> </td> <td> </td> </tr> <tr> <td> </td> <td>10/15/2009</td> <td> </td> <td> </td> <td> </td> <td> </td> </tr> </tbody> </table>								REV	DATE	BY	CHK	APP	DATE		10/15/2009						10/15/2009						10/15/2009						10/15/2009						10/15/2009						10/15/2009				
REV	DATE	BY	CHK	APP	DATE																																												
	10/15/2009																																																
	10/15/2009																																																
	10/15/2009																																																
	10/15/2009																																																
	10/15/2009																																																
	10/15/2009																																																
<table border="1" style="width:100%; border-collapse: collapse;"> <thead> <tr> <th>REV</th> <th>DATE</th> <th>BY</th> <th>CHK</th> <th>APP</th> <th>DATE</th> </tr> </thead> <tbody> <tr> <td> </td> <td>10/15/2009</td> <td> </td> <td> </td> <td> </td> <td> </td> </tr> <tr> <td> </td> <td>10/15/2009</td> <td> </td> <td> </td> <td> </td> <td> </td> </tr> <tr> <td> </td> <td>10/15/2009</td> <td> </td> <td> </td> <td> </td> <td> </td> </tr> <tr> <td> </td> <td>10/15/2009</td> <td> </td> <td> </td> <td> </td> <td> </td> </tr> <tr> <td> </td> <td>10/15/2009</td> <td> </td> <td> </td> <td> </td> <td> </td> </tr> <tr> <td> </td> <td>10/15/2009</td> <td> </td> <td> </td> <td> </td> <td> </td> </tr> </tbody> </table>								REV	DATE	BY	CHK	APP	DATE		10/15/2009						10/15/2009						10/15/2009						10/15/2009						10/15/2009						10/15/2009				
REV	DATE	BY	CHK	APP	DATE																																												
	10/15/2009																																																
	10/15/2009																																																
	10/15/2009																																																
	10/15/2009																																																
	10/15/2009																																																
	10/15/2009																																																
<table border="1" style="width:100%; border-collapse: collapse;"> <thead> <tr> <th>REV</th> <th>DATE</th> <th>BY</th> <th>CHK</th> <th>APP</th> <th>DATE</th> </tr> </thead> <tbody> <tr> <td> </td> <td>10/15/2009</td> <td> </td> <td> </td> <td> </td> <td> </td> </tr> <tr> <td> </td> <td>10/15/2009</td> <td> </td> <td> </td> <td> </td> <td> </td> </tr> <tr> <td> </td> <td>10/15/2009</td> <td> </td> <td> </td> <td> </td> <td> </td> </tr> <tr> <td> </td> <td>10/15/2009</td> <td> </td> <td> </td> <td> </td> <td> </td> </tr> <tr> <td> </td> <td>10/15/2009</td> <td> </td> <td> </td> <td> </td> <td> </td> </tr> <tr> <td> </td> <td>10/15/2009</td> <td> </td> <td> </td> <td> </td> <td> </td> </tr> </tbody> </table>								REV	DATE	BY	CHK	APP	DATE		10/15/2009						10/15/2009						10/15/2009						10/15/2009						10/15/2009						10/15/2009				
REV	DATE	BY	CHK	APP	DATE																																												
	10/15/2009																																																
	10/15/2009																																																
	10/15/2009																																																
	10/15/2009																																																
	10/15/2009																																																
	10/15/2009																																																
<table border="1" style="width:100%; border-collapse: collapse;"> <thead> <tr> <th>REV</th> <th>DATE</th> <th>BY</th> <th>CHK</th> <th>APP</th> <th>DATE</th> </tr> </thead> <tbody> <tr> <td> </td> <td>10/15/2009</td> <td> </td> <td> </td> <td> </td> <td> </td> </tr> <tr> <td> </td> <td>10/15/2009</td> <td> </td> <td> </td> <td> </td> <td> </td> </tr> <tr> <td> </td> <td>10/15/2009</td> <td> </td> <td> </td> <td> </td> <td> </td> </tr> <tr> <td> </td> <td>10/15/2009</td> <td> </td> <td> </td> <td> </td> <td> </td> </tr> <tr> <td> </td> <td>10/15/2009</td> <td> </td> <td> </td> <td> </td> <td> </td> </tr> <tr> <td> </td> <td>10/15/2009</td> <td> </td> <td> </td> <td> </td> <td> </td> </tr> </tbody> </table>								REV	DATE	BY	CHK	APP	DATE		10/15/2009						10/15/2009						10/15/2009						10/15/2009						10/15/2009						10/15/2009				
REV	DATE	BY	CHK	APP	DATE																																												
	10/15/2009																																																
	10/15/2009																																																
	10/15/2009																																																
	10/15/2009																																																
	10/15/2009																																																
	10/15/2009																																																
<table border="1" style="width:100%; border-collapse: collapse;"> <thead> <tr> <th>REV</th> <th>DATE</th> <th>BY</th> <th>CHK</th> <th>APP</th> <th>DATE</th> </tr> </thead> <tbody> <tr> <td> </td> <td>10/15/2009</td> <td> </td> <td> </td> <td> </td> <td> </td> </tr> <tr> <td> </td> <td>10/15/2009</td> <td> </td> <td> </td> <td> </td> <td> </td> </tr> <tr> <td> </td> <td>10/15/2009</td> <td> </td> <td> </td> <td> </td> <td> </td> </tr> <tr> <td> </td> <td>10/15/2009</td> <td> </td> <td> </td> <td> </td> <td> </td> </tr> <tr> <td> </td> <td>10/15/2009</td> <td> </td> <td> </td> <td> </td> <td> </td> </tr> <tr> <td> </td> <td>10/15/2009</td> <td> </td> <td> </td> <td> </td> <td> </td> </tr> </tbody> </table>								REV	DATE	BY	CHK	APP	DATE		10/15/2009						10/15/2009						10/15/2009						10/15/2009						10/15/2009						10/15/2009				
REV	DATE	BY	CHK	APP	DATE																																												
	10/15/2009																																																
	10/15/2009																																																
	10/15/2009																																																
	10/15/2009																																																
	10/15/2009																																																
	10/15/2009																																																
<table border="1" style="width:100%; border-collapse: collapse;"> <thead> <tr> <th>REV</th> <th>DATE</th> <th>BY</th> <th>CHK</th> <th>APP</th> <th>DATE</th> </tr> </thead> <tbody> <tr> <td> </td> <td>10/15/2009</td> <td> </td> <td> </td> <td> </td> <td> </td> </tr> <tr> <td> </td> <td>10/15/2009</td> <td> </td> <td> </td> <td> </td> <td> </td> </tr> <tr> <td> </td> <td>10/15/2009</td> <td> </td> <td> </td> <td> </td> <td> </td> </tr> <tr> <td> </td> <td>10/15/2009</td> <td> </td> <td> </td> <td> </td> <td> </td> </tr> <tr> <td> </td> <td>10/15/2009</td> <td> </td> <td> </td> <td> </td> <td> </td> </tr> <tr> <td> </td> <td>10/15/2009</td> <td> </td> <td> </td> <td> </td> <td> </td> </tr> </tbody> </table>								REV	DATE	BY	CHK	APP	DATE		10/15/2009						10/15/2009						10/15/2009						10/15/2009						10/15/2009						10/15/2009				
REV	DATE	BY	CHK	APP	DATE																																												
	10/15/2009																																																
	10/15/2009																																																
	10/15/2009																																																
	10/15/2009																																																
	10/15/2009																																																
	10/15/2009																																																



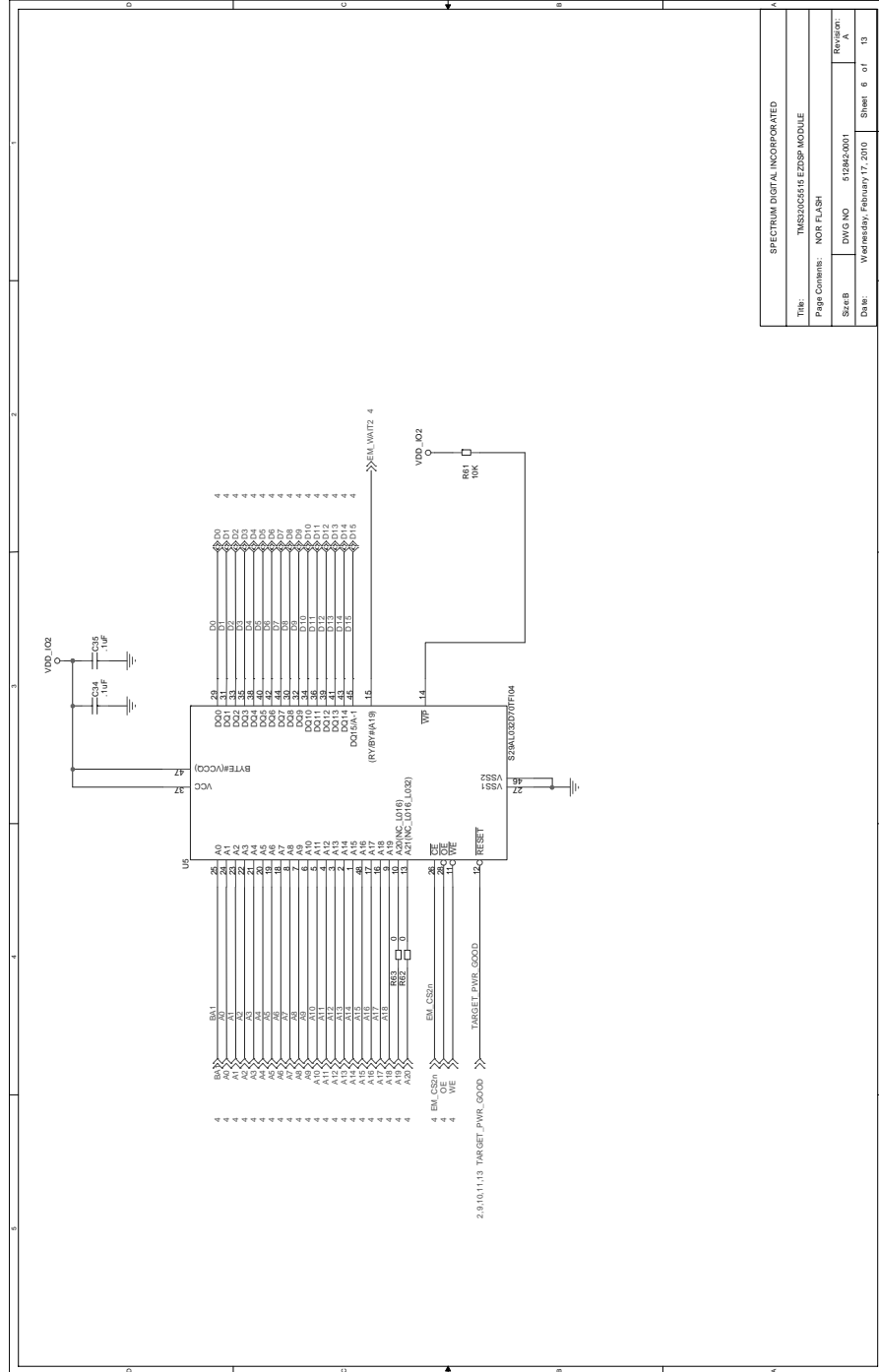






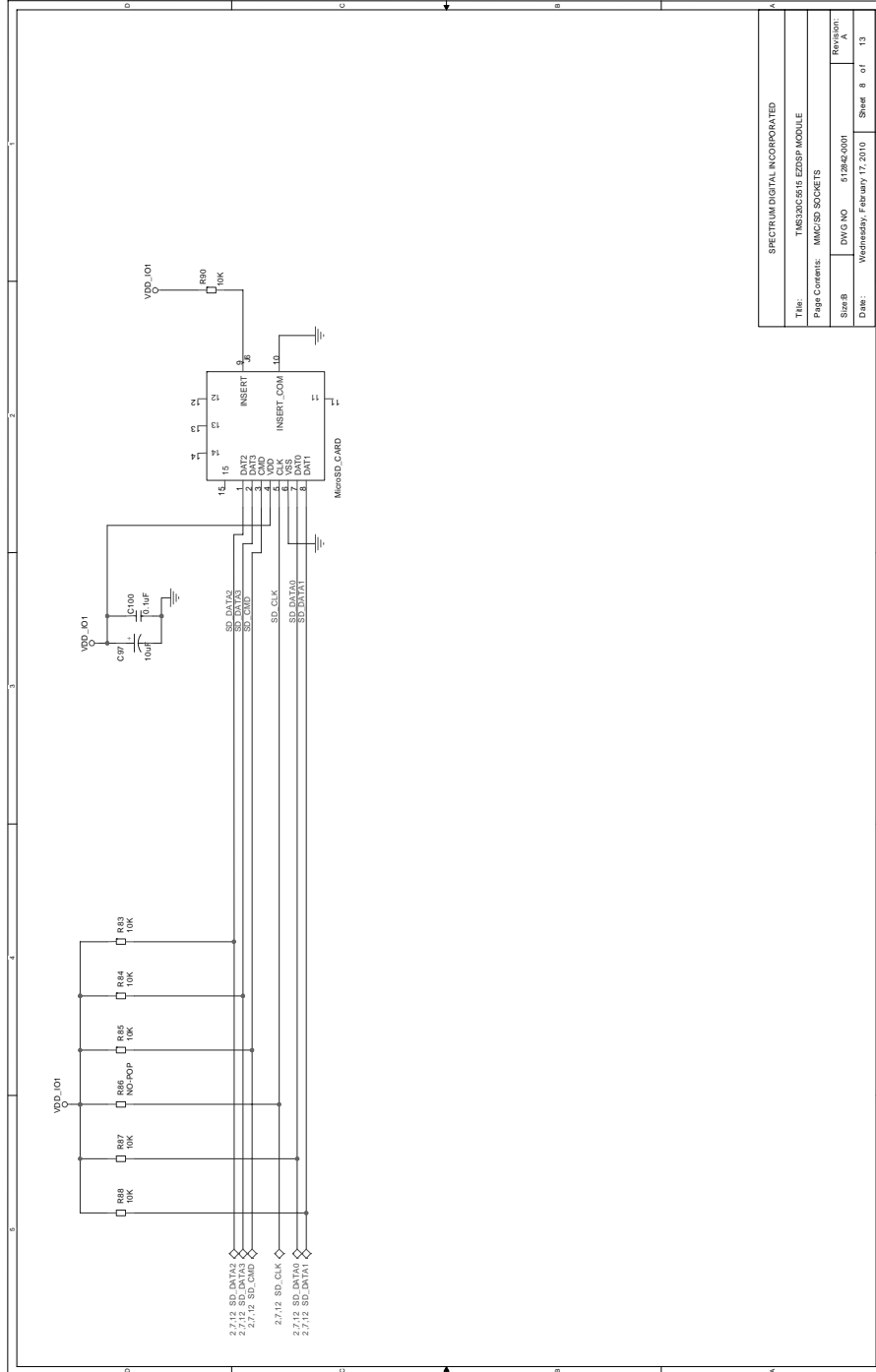


Part No.	TMS320C5515 EZDSP MODULE
Rev. No.	A
Page Contents:	TMS320C5515 POWER
Size B	DWG NO 51282-0001
Date:	Monday, February 22, 2010
Sheet	5 of 13

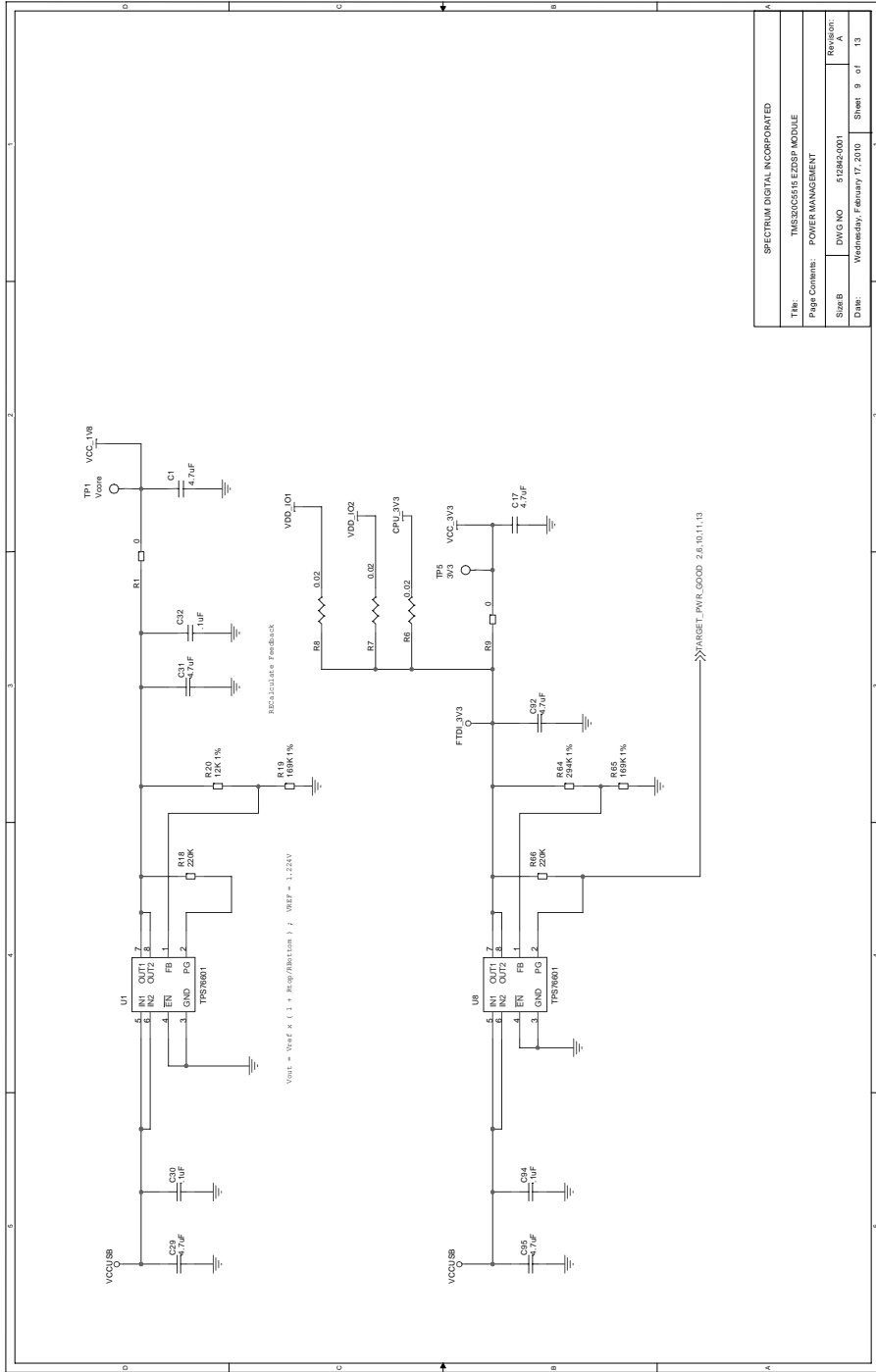


SPECTRUM DIGITAL INCORPORATED	
Title:	TMS320C551F EZDSP MODULE
Page Contents:	NOR FLASH
Sheet No:	5 (28/4/2001)
Date:	Wednesday, February 17, 2001
Revision:	A
Sheet:	6 of 13



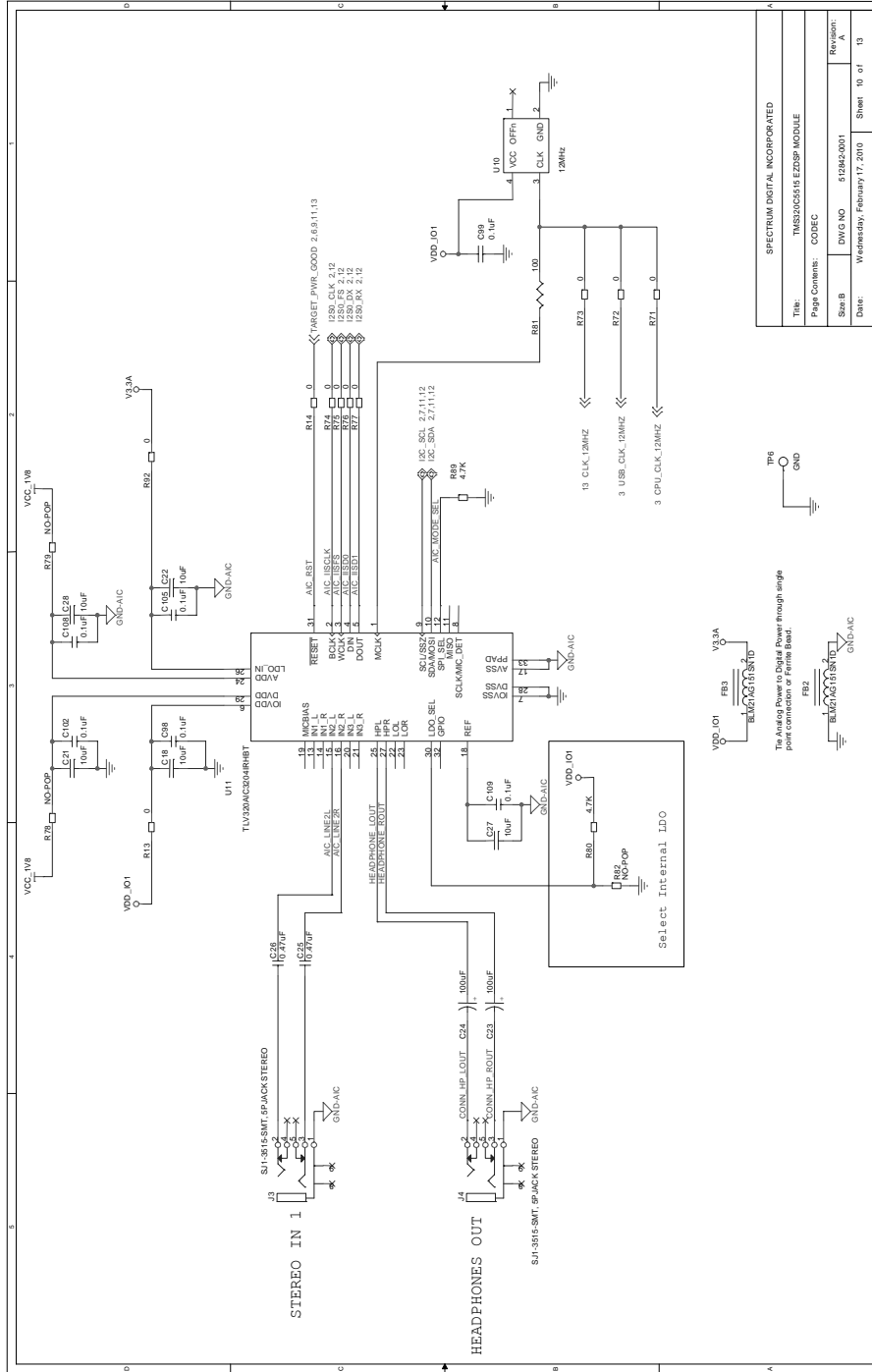


SPECTRUM DIGITAL INCORPORATED	
Title:	TMS320C5516 EZDSP MODULE
Page Contents:	MMCS50 SOCKETS
Sheet:	DWG NO 612842/001
Date:	Wednesday, February 17, 2010
Revision:	1
Sheet:	8 of 13

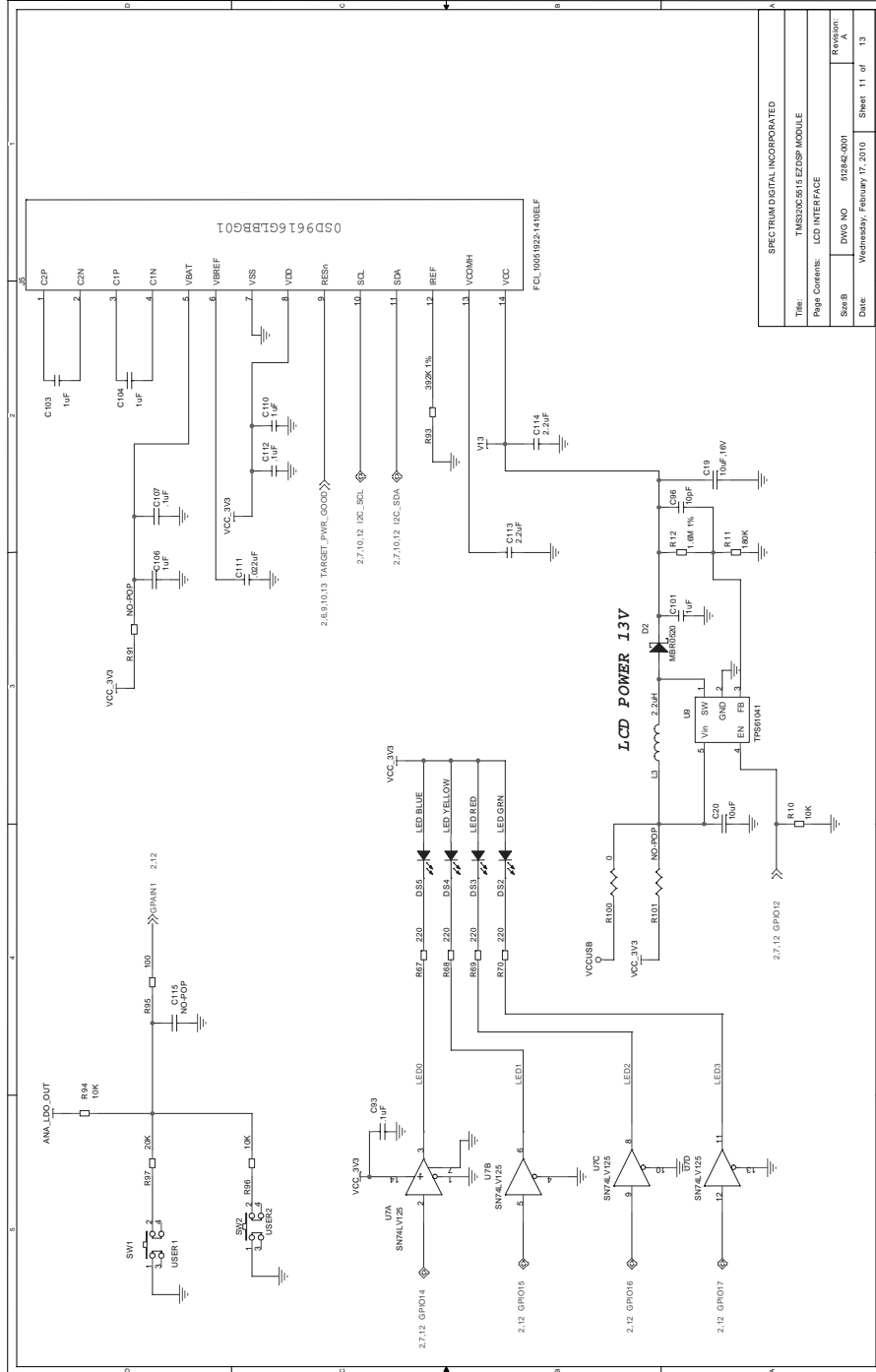


SPECTRUM DIGITAL INCORPORATED	
Title: TMS320C5515 EZDSP MODULE	
Page Contents: POWER MANAGEMENT	
Size B	DWG NO: 51282-0001
Date: Wednesday, February 17, 2010	Revision: A
Sheet 9 of 13	

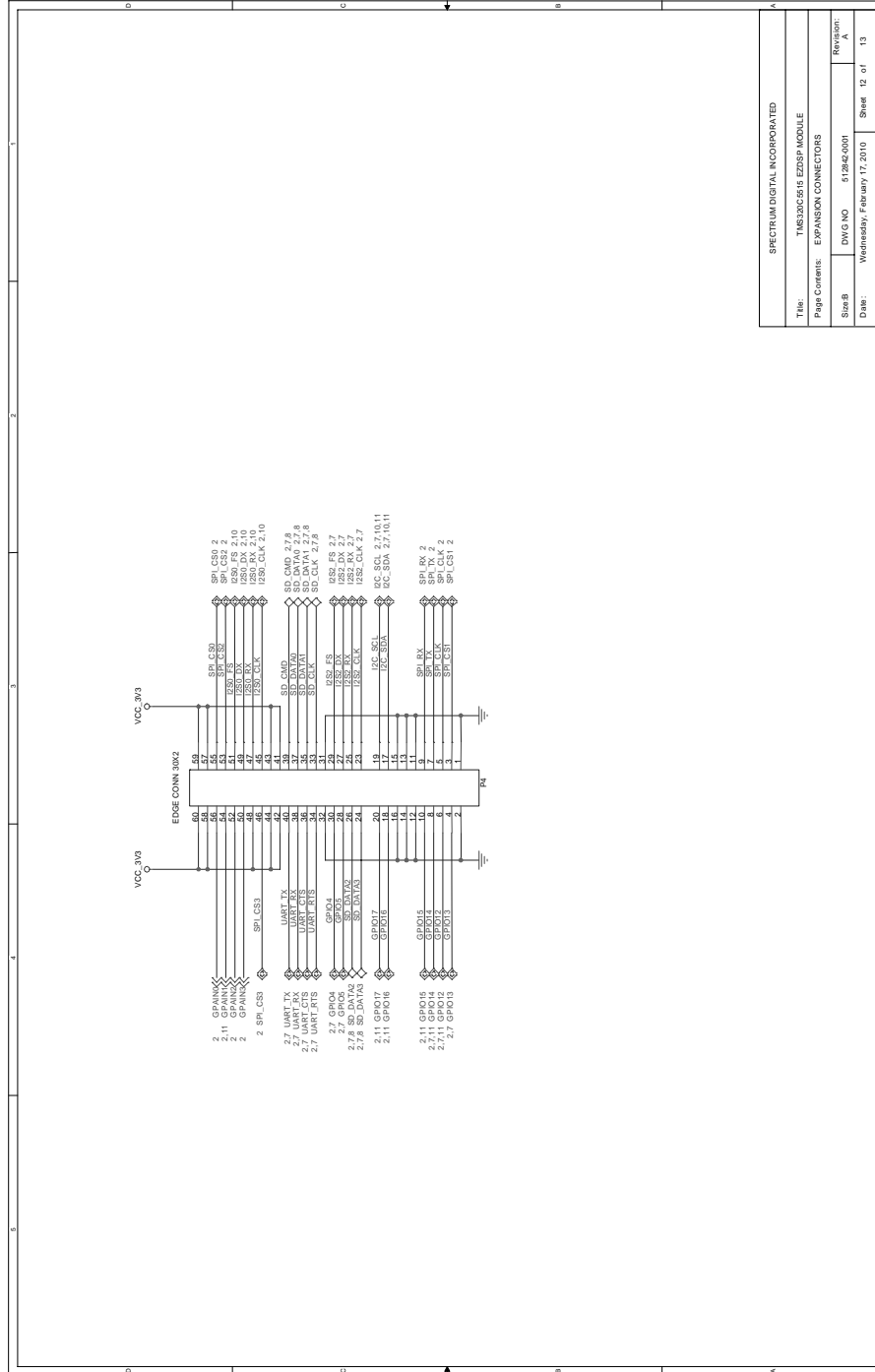




SPECTRUM DIGITAL INCORPORATED			
Title:	TMS320C5515 EZDSP MODULE	Revision:	A
Page Contents:	CODEC	DWG NO:	512842-001
Size:	B	Date:	Wednesday, February 17, 2010
Sheet:	10 of 13		



SPECTRUM DIGITAL INCORPORATED	
Title:	TMS320C5515 EZDSP MODULE
Page Contents:	LCD INTERFACE
Sheet:	11 of 13
DWG NO:	51294-001
Date:	Wednesday, February 17, 2010
Revision:	A





## Appendix B

### Mechanical Information

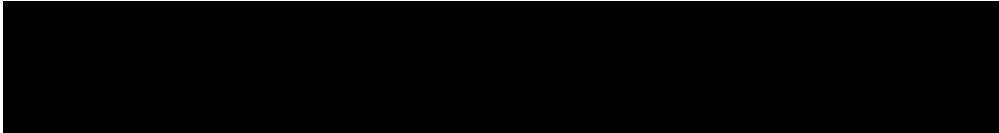
---

---

This appendix contains the mechanical information about the TMS320C5515 eZdsp USB Stick.







---

Printed in U.S.A., February 2010  
512845-0001 Rev A