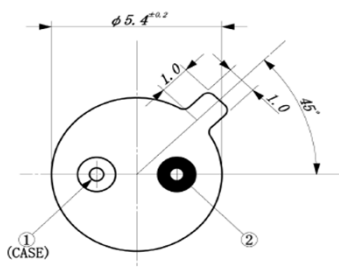
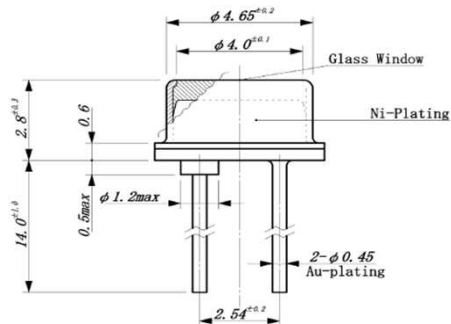


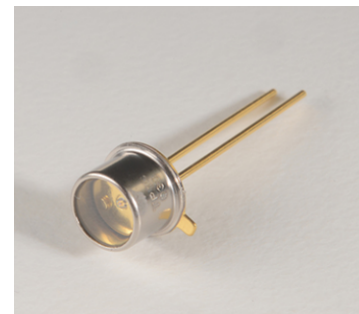
Peak Emission Wavelength: 1720nm



1- cathode, 2 - anode, all dimensions in mm,
tolerance: ± 0.2

Description

- TO-46 with flat glass lens cap
- Type: InGaAs/InP, MQW
- High power
- High speed
- Wide beam angle
- High reliability



Application

- Optical switches
- Optical communication
- Safety equipment
- Automation
- Applications requiring high output and precise optical / mechanical axis alignment.

Absolute Maximum Ratings ($T_a=25^\circ\text{C}$)



ITEMS	TEST CONDITIONS	SYMBOL	RATINGS	UNIT
Forward DC Current		If	100	mA
Peak Forward Current (pulse)	$t \leq 10\mu\text{s}$, $T=10\text{ms}$	Ifp	200	mA
Reverse Voltage	$I_r=100\mu\text{A}$	Vr	5	V
Power Dissipation		Pd	100	mW
Operating Temperature Range		Top	-25 to +85	$^\circ\text{C}$
Storage Temperature Range		Tst	-30 to +100	$^\circ\text{C}$
Lead Soldering Temperature	$t < 5\text{sec}$, 3mm from case	Tslg	260	$^\circ\text{C}$
Junction Temperature		Tj	100	$^\circ\text{C}$

Electrical & Optical Characteristics (Ta = 25°C)

ITEMS	SYMBOL	CONDITIONS	MIN	TYP	MAX	UNIT
Forward Voltage	Vf	If=20mA	--	0.7	--	V
Reverse Current	Ir	Vr=5V	--	100	--	uA
Radiant Power	Φe	If=20mA	--	1	--	mW
Peak Wavelength	λp	If=20mA	--	1720	--	nm
Spectral Bandwidth at 50%	Δλ0.5	If=20mA	--	130	--	nm
Viewing Angle	φ	If=20mA	--	+/-45	--	deg
Switching Time	tr,tf	If=20mA	--	15	--	ns

Spectrum @ 100mA [Peak: 1705 nm; FWHM: 165 nm]

