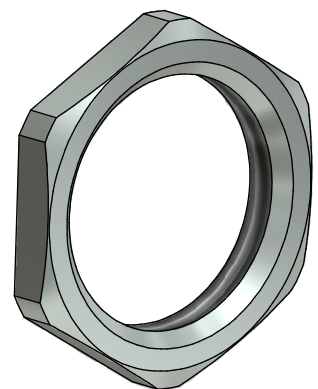
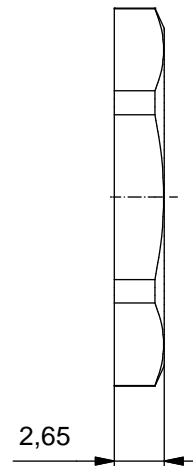
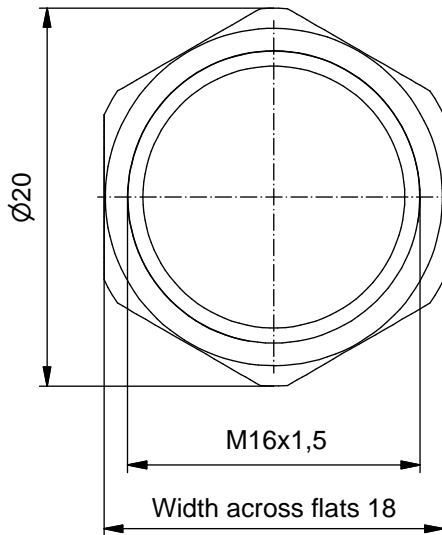
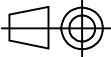



Materials:

Material: CuZn

Plating: Nickel gal.



DO NOT ALTER CAD DRAWING BY HAND Directive 2002/95/EC RoHS compliant	Index: a 24.03.11 VF Ä3941 data sheet revised	 dim. in mm	title: Hex nut M16x1,5
		date name	
		drawn 19.09.08 Burschik	dwg no: 43K1A743
		appd. 19.09.08 Fromm	
	general tolerance: 0 ± 0,50mm 0,0 ± 0,25mm 0,00 ± 0,10mm		part no: 43-01155
THIS DRAWING MAY NOT BE COPIED OR REPRODUCED IN ANY WAY, AND MAY NOT BE PASSED ON TO A THIRD PARTY WITHOUT WRITTEN PERMISSION. OWNERSHIP AND COPYRIGHT OF CONEC GmbH			