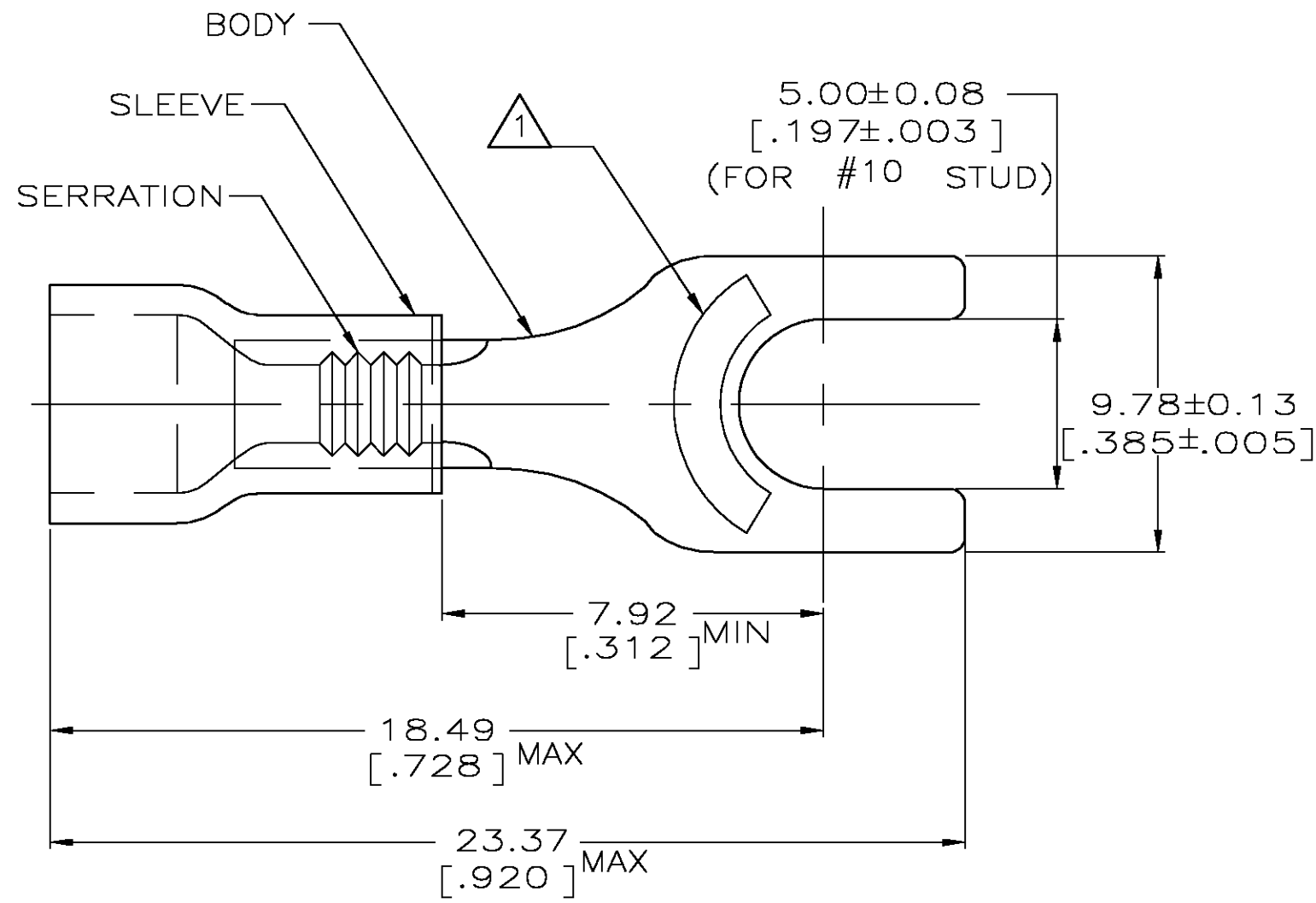


THIS DRAWING IS UNPUBLISHED. RELEASED FOR PUBLICATION
 © COPYRIGHT BY TYCO ELECTRONICS CORPORATION. ALL RIGHTS RESERVED.

| LOC | DIST | REVISIONS | | | | | |
|-----|------|-----------|-----|----------------------|---------|-----|------|
| G | 14 | P | LTR | DESCRIPTION | DATE | DWN | APVD |
| | | | H | REV PER 0G3A-0832-04 | 27JAN05 | JR | TM |

| | | |
|--------------------------------|--------------------------------|--------------------------------|
| AMP WIRE RANGE | Listed | LR7189 Certified |
| 16-14 AWG SOLID OR STRANDED | 16-14 AWG SOLID OR STRANDED | 16-14 AWG SOLID OR STRANDED |



- △ 1 STAMP AMP16-14* LOCATE APPROX AS SHOWN
- 2. WIRE INSUL DIA, 3.00-4.90 [.118-.193]
- 3. TONGUE MATL THK, 0.79 ± 0.05 [.031 ± .002]
- △ 4 MATERIAL: BODY - CU PER ASTM B152
SLEEVE - PVC, COLOR - BLUE

| 50 | LOOSE PIECE, BAG | 8-34167-5 |
|------|------------------|-----------|
| 5 | LOOSE PIECE, BLS | 8-34167-4 |
| 100 | LOOSE PIECE, BOX | 8-34167-1 |
| 5000 | ON TAPE, REEL | 2-34167-1 |
| 1000 | LOOSE PIECE | 34167 |
| QTY | PACKAGE TYPE | PART NO |

| | | | | | | | | | | |
|--|--|---|--|---|-------------------------|---|--------------------|-----------------------|--------------------|----------|
| AMP INCORPORATED CUSTOMER SERVICE SYSTEMS | | MAX RECOMMENDED OPERATING TEMPERATURE: 105°C [221° F] | THIS DRAWING IS A CONTROLLED DOCUMENT. | | DWN G VINSON 07NOV94 | Tyco Electronics Corporation Harrisburg, Pa 17105-3608 | | | | |
| FOR ADDITIONAL PRODUCT INFORMATION OR COPIES OF DRAWINGS AND TECHNICAL DOCUMENTS | PRODUCT INFORMATION CENTER 1-800-522-6752 | VOLTAGE RATING: 600V MAX (1000V FIXTURE OR SIGN) | DIMENSIONS: mm[INCHES] | TOLERANCES UNLESS OTHERWISE SPECIFIED: | CHK M ELLIS 07NOV94 | NAME | | | | |
| FOR APPLICATION TOOLING INFORMATION | TOOLING ASSISTANCE CENTER 1-800-722-1111 | CIRCULAR MIL AREA: 1.04-2.62mm² [2,050-5,180] SOLID OR STRANDED | | 0 PLC ± - 1 PLC ± - 2 PLC ± 0.20 [.008] 3 PLC ± - 4 PLC ± - ANGLES ± - | APVD G NGO 07NOV94 | TERMINAL, SPADE, PLASTI-GRIP, WIRE SIZE: 16-14 | | | | |
| FOR ORDER ENTRY | 1-800-526-5142 | THIS DRAWING IS A CONTROLLED DOCUMENT FOR AMP INCORPORATED. IT IS SUBJECT TO CHANGE AND THE CONTROLLING ENGINEERING ORGANIZATION SHOULD BE CONTACTED FOR THE LATEST REVISION. | MATERIAL - △ 4 | FINISH - | PRODUCT SPEC UL 486A | SIZE A3 | CAGE CODE 00779 | DRAWING NO C-34167 | RESTRICTED TO - | |
| | | | | | WEIGHT - | CUSTOMER DRAWING | | SCALE 6:1 | SHEET 1 OF 1 | REV H |